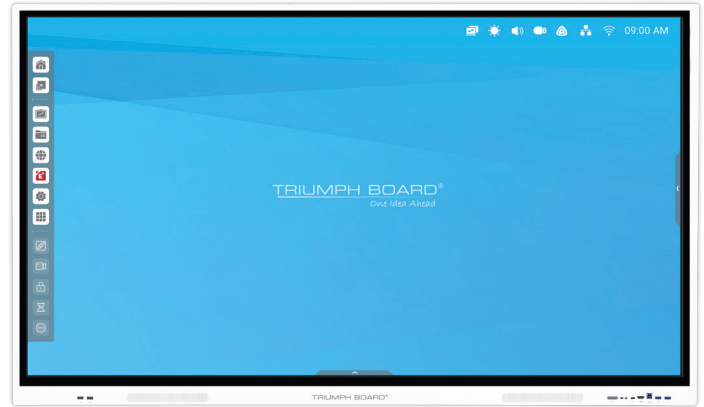


# TRIUMPH BOARD

## 65" IFP

### TECHNICAL SPECIFICATION

EAN: 8592580118661



#### Display

Diagonal Size:	1651 mm
Resolution:	UHD (3840 × 2160)
Screen Type:	Open Cell DLED Backlight
Aspect Ratio:	16:9
Display Area:	1429 (H) x 804 (V) mm
Display Colors:	1.07 B (10 - bit)
Brightness:	400 cd/m2
Contrast:	5000:1
Response Time:	6.5 ms
Refreshing Frequency:	60 Hz
View Angle:	178°/178° (H/V)
Life Time:	50 000 hrs (panel)
Service Time:	16/7

#### Glass

Glass Type:	Anti-Glare Tempered
Thickness:	4 mm
Hardness:	Mohs 7
Coating:	Anti-bacterial
Bonding Technology:	Zero Bonding 1st Gen
Air Gap:	1 mm

#### Sound System

Speaker Position:	Forward
Sound Channel:	2.0
Power Amplify:	2 x 10 W

#### Software

Whiteboard Software - annotation software under every source (Android)
EShare – wireless content sharing software (Windows & Android)
OfficeSuite - All-in-One Office Application (Android)
mozaBook CLASSROOM - educational presentation software (Windows)
TRIUMPH CLOUD – annotation software (Optional)
Remote Management for IFP / IFP PRO (Optional)

#### Inputs and Outputs

OPS:	1
HDMI IN:	3 + 1 Front
HDMI OUT:	1
VGA:	1
AUDIO IN:	1
AUDIO OUT:	1
LAN 1000 Mbps:	2
S/PDIF:	1
USB Type-C:	1 Front
USB 2.0:	1 + 2 Front
USB 3.0:	3 + 2 Front
TOUCH USB:	2 + 1 Front
RS232 IN:	1

#### Computing

Version:	8.0
CPU:	A73x2 + A53x2
GPU:	Mali G51x2
RAM/ROM:	3GB DDR4/32GB
Wi-Fi:	2,4 / 5 GHz Wi-Fi Module
OTA Update:	Yes
Device Management:	Yes (TeamViewer)

#### Power

Power Requirements:	100~240 V AC 50/60 Hz
Power Consumption with OPS:	< 300 W MAX
Power Consumption without OPS:	< 200 W
Standby Power Consumption:	< 0.5 W

#### Ambient Conditions

Operation Temperature:	0° - 40°C
Operation Humidity:	10 - 90% RH
Storage Temperature:	-20° - 60°C
Storage Humidity:	10 - 90% RH

#### Touch System

Touch Technology:	20 Touch Input
Number of Touch Points:	Infrared Transmission
Response Time:	< 10 ms (typ)
Touch Accuracy:	± 1,5 mm
Minimum Touch Object:	≥ 3 mm
Touch Tool:	Finger, Stylus, Palm
Compatibility:	Windows, Mac, Linux, Android

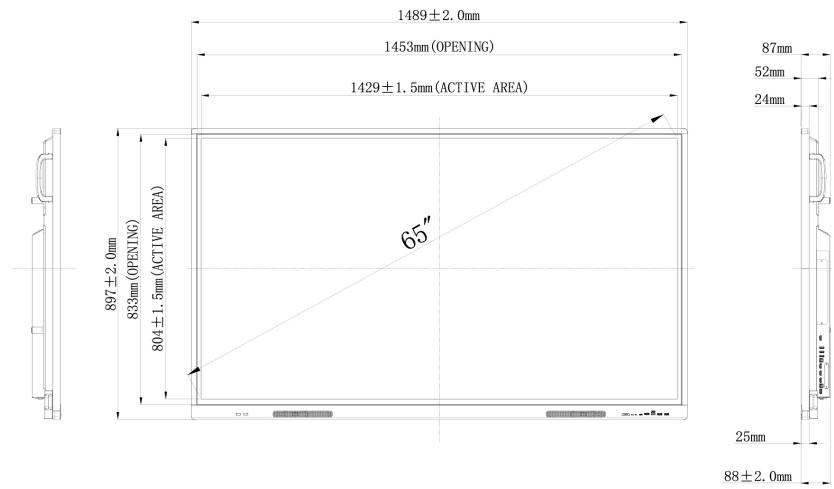
#### Dimensions

Product Dimensions:	1489 x 897 x 88 mm (LxWxD)
Box Dimensions:	1628 x 208 x 1005 mm (LxWxH)
Net Weight:	38,85 kg
Gross Weight:	48,75 kg
Mount System:	VESA 600 x 400

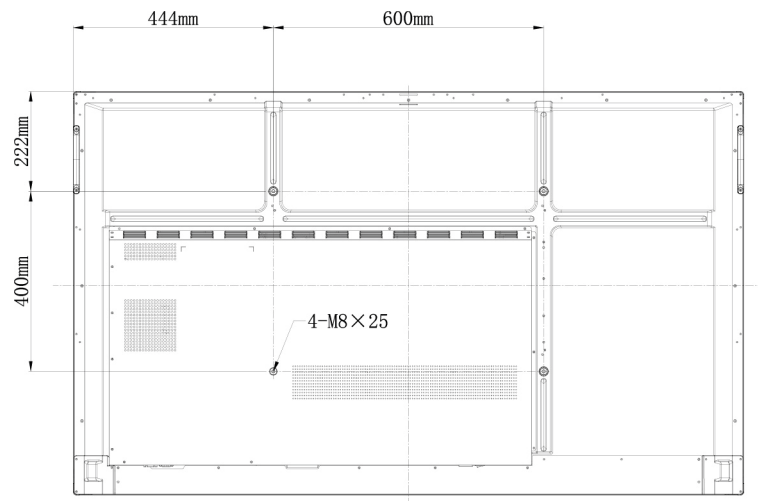
#### Accessories

1x HDMI Cable
1x AC Power Cable
1x USB Touch Cable
2x Stylus
1x Remote Control
1x Wall Mount Bracket
1x Quick Start Guide

Front



Back



VESA Mount

