

TRIUMPH BOARD 75" IFP

TECHNICAL SPECIFICATION

EAN: 8592580118654



Display	
Diagonal Size:	75"
Resolution:	UHD (3840 × 2160)
Screen Type:	Open Cell DLED Backlight
Aspect Ratio:	16:9
Display Area:	64.9 (H) x 36.5 (V) in
Display Colors:	1.07 B (10 - bit)
Brightness:	400 cd/m2
Contrast:	4000:1
Response Time:	8 ms
Refreshing Frequency:	60 Hz
View Angle:	178°/178° (H/V)
Life Time:	50 000 hrs (panel)
Operating Time:	16/7

Glass	
Glass Type:	Anti-Glare Tempered
Thickness:	0.16 in (4 mm)
Hardness:	Mohs 7
Coating:	Anti-bacterial
Bonding Technology:	Zero Bonding 1st Gen
Air Gap:	0.04 in (1 mm)

Sound System	
Speaker Position:	Forward
Sound Channel:	2.0
Power Amplify:	2 x 15 W

Software	
Note - annotation software under every source (Android)	
EShare – wireless content sharing software (Windows & Android)	
OfficeSuite - All-in-One Office Application (Android)	
mozaBook CLASSROOM - educational presentation software (Windows)	
Remote Management for IFP / IFP PRO (optional)	

Inputs and Outputs	
OPS:	1
HDMI IN:	3 + 1 Front
HDMI OUT:	1
VGA:	1
AUDIO IN:	1
AUDIO OUT:	1
LAN 1000 Mbps:	2
S/PDIF:	1
USB Type-C:	1 Front
USB 2.0:	1 + 2 Front
USB 3.0:	3 + 2 Front
TOUCH USB:	2 + 1 Front
RS232 IN:	1

Computing	
Version:	8.0
CPU:	A73x2 + A53x2
GPU:	Mali G51x2
RAM/ROM:	3GB DDR4/32GB
Wi-Fi:	2.4 / 5 GHz Wi-Fi Module
BT:	4.0 Wi-Fi Module
OTA Update:	Yes
Device Management:	TeamViewer QuickSupport

Power	
Power Requirements:	100-240 V AC 50/60 Hz
Power Consumption with OPS:	< 350 W max
Power Consumption without OPS:	< 257 W
Standby Power Consumption:	< 0.5 W

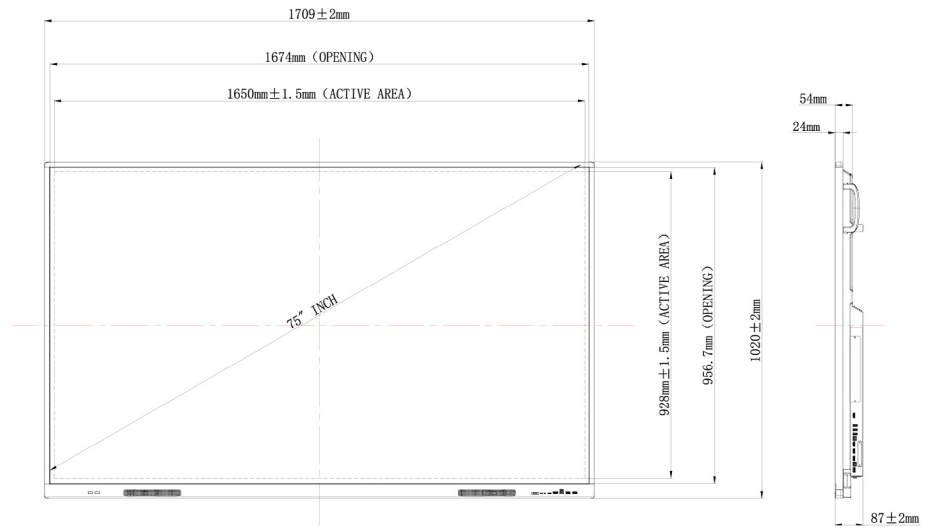
Touch System	
Touch Technology:	Infrared Transmission
Number of Touch Points:	20 Touch Input
Response Time:	< 10 ms (typ)
Touch Accuracy:	± 0.06 in (1,5 mm)
Minimum Touch Object:	≥ 0.12 in (3 mm)
Interpolation Resolution:	32768(W)×32768(D)
Touch Tool:	Finger, Stylus, Palm
Compatibility:	Windows, Mac, Linux, Android

Ambient Conditions	
Operation Temperature:	32° - 104°F
Operation Humidity:	10 - 90% RH
Storage Temperature:	-4° - 140°F
Storage Humidity:	10 - 90% RH

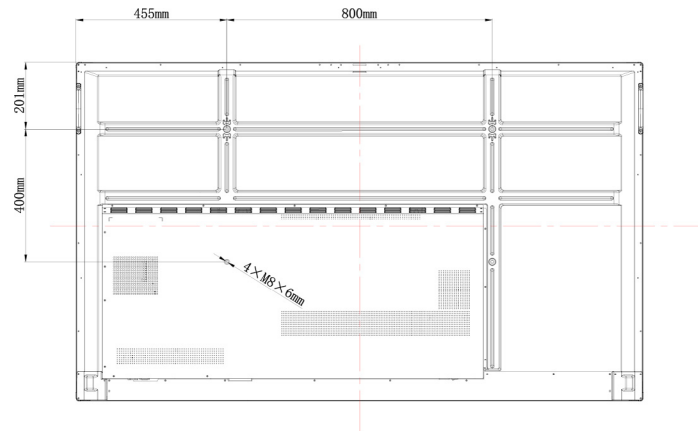
Dimensions	
Product Dimensions:	67.3 x 40.2 x 3.4 in
Box Dimensions:	73.3 x 44.9 x 8.9 in
Net Weight:	116.8 lb (53 kg)
Gross Weight:	152 lb (69 kg)
Mount System:	VESA 800 x 400

Accessories	
1x HDMI Cable	
1x AC Power Cable	
1x USB Touch Cable	
2x Stylus	
1x Remote Control	
1x Wall Mount Bracket	
1x Quick Start Guide	

Front



Back



VESA Mount

