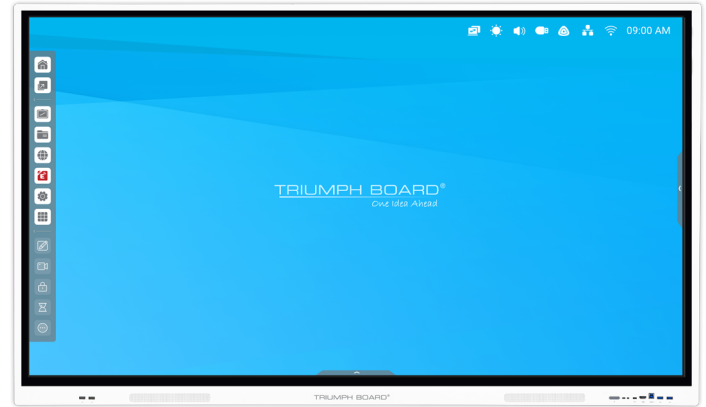


TRIUMPH BOARD

75" IFP

TECHNICAL SPECIFICATION

EAN: 8592580118654



Display

Diagonal Size:	1905 mm
Resolution:	UHD (3840 × 2160)
Screen Type:	Open Cell DLED Backlight
Aspect Ratio:	16:9
Display Area:	1650 (H) x 928 (V) mm
Display Colors:	1.07 B (10 - bit)
Brightness:	400 cd/m2
Contrast:	4000:1
Response Time:	8 ms
Refreshing Frequency:	60 Hz
View Angle:	178°/178° (H/V)
Life Time:	50 000 hrs (panel)
Operating Time:	16/7

Glass

Glass Type:	Anti-Glare Tempered
Thickness:	4 mm
Hardness:	Mohs 7
Coating:	Anti-bacterial
Bonding Technology:	Zero Bonding 1st Gen
Air Gap:	1 mm

Sound System

Speaker Position:	Forward
Sound Channel:	2.0
Power Amplify:	2 x 15 W

Software

Note - annotation software under every source (Android)
EShare – wireless content sharing software (Windows & Android)
OfficeSuite - All-in-One Office Application (Android)
mozaBook CLASSROOM - educational presentation software (Windows)
Remote Management for IFP / IFP PRO (optional)

Inputs and Outputs

OPS:	1
HDMI IN:	3 + 1 Front
HDMI OUT:	1
VGA:	1
AUDIO IN:	1
AUDIO OUT:	1
LAN 1000 Mbps:	2
S/PDIF:	1
USB Type-C:	1 Front
USB 2.0:	1 + 2 Front
USB 3.0:	3 + 2 Front
TOUCH USB:	2 + 1 Front
RS232 IN:	1

Computing

Version:	8.0
CPU:	A73x2 + A53x2
GPU:	Mali G51x2
RAM/ROM:	3GB DDR4/32GB
Wi-Fi:	2,4 / 5 GHz Wi-Fi Module
BT:	4.0 Wi-Fi Module
OTA Update:	Yes
Device Management:	TeamViewer QuickSupport

Power

Power Requirements:	100~240 V AC 50/60 Hz
Power Consumption with OPS:	< 350 W max
Power Consumption without OPS:	< 257 W
Standby Power Consumption:	< 0,5 W

Touch System

Touch Technology:	Infrared Transmission
Number of Touch Points:	20 Touch Input
Response Time:	< 10 ms (typ)
Touch Accuracy:	± 1,5 mm
Minimum Touch Object:	≥ 3 mm
Interpolation Resolution:	32768(W)×32768(D)
Touch Tool:	Finger, Stylus, Palm
Compatibility:	Windows, Mac, Linux, Android

Ambient Conditions

Operation Temperature:	0° - 40°C
Operation Humidity:	10 - 90% RH
Storage Temperature:	-20° - 60°C
Storage Humidity:	10 - 90% RH

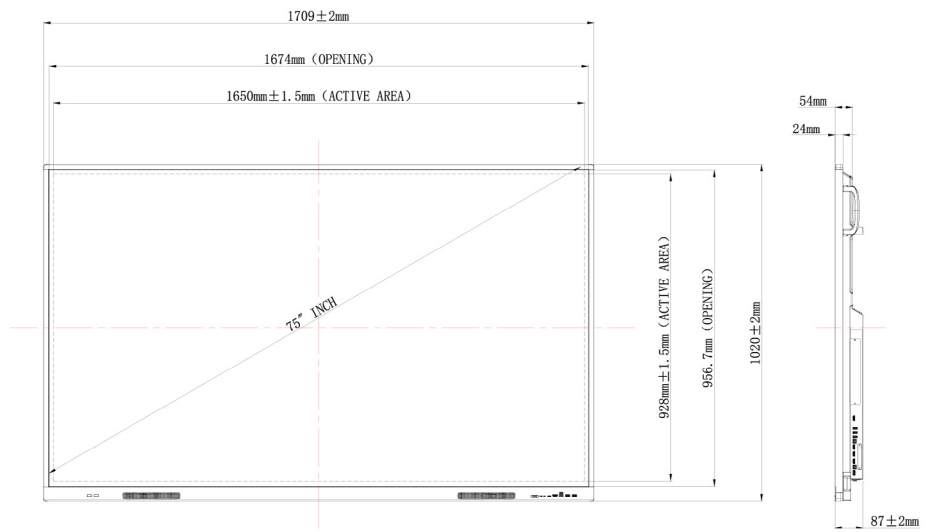
Dimensions

Product Dimensions:	1709 x 1020 x 87 mm (LxWxD)
Box Dimensions:	1863 x 225 x 1140 mm (LxWxH)
Net Weight:	52,85 kg
Gross Weight:	68,6 kg
Mount System:	VESA 800 x 400

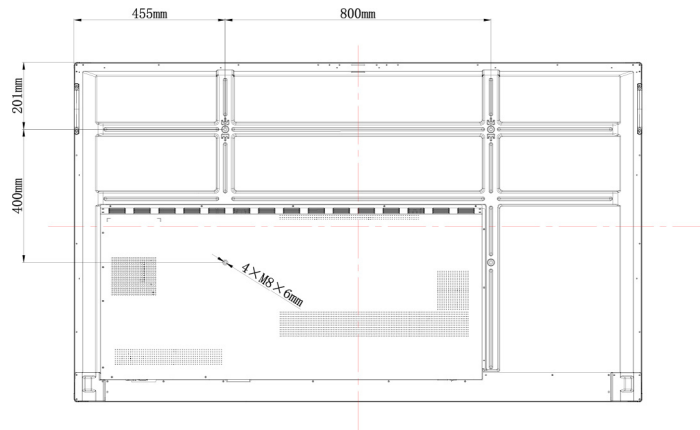
Accessories

1x HDMI Cable
1x AC Power Cable
1x USB Touch Cable
2x Stylus
1x Remote Control
1x Wall Mount Bracket
1x Quick Start Guide

Front



Back



VESA Mount

