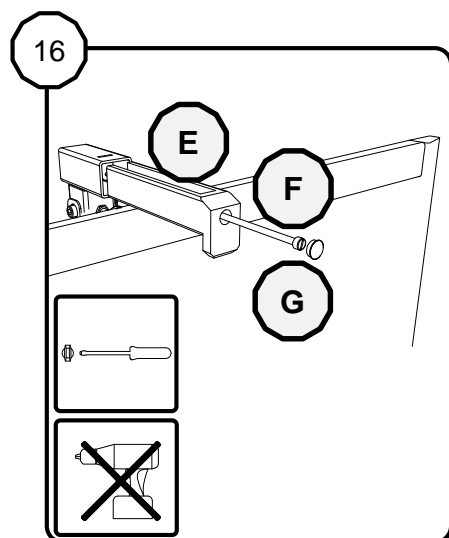


## Universal Connection Frame for LiftBox for IWB's



Mount brackets E at the top, tighten all brackets and plug holes with cap G

**N.I.** = Not included

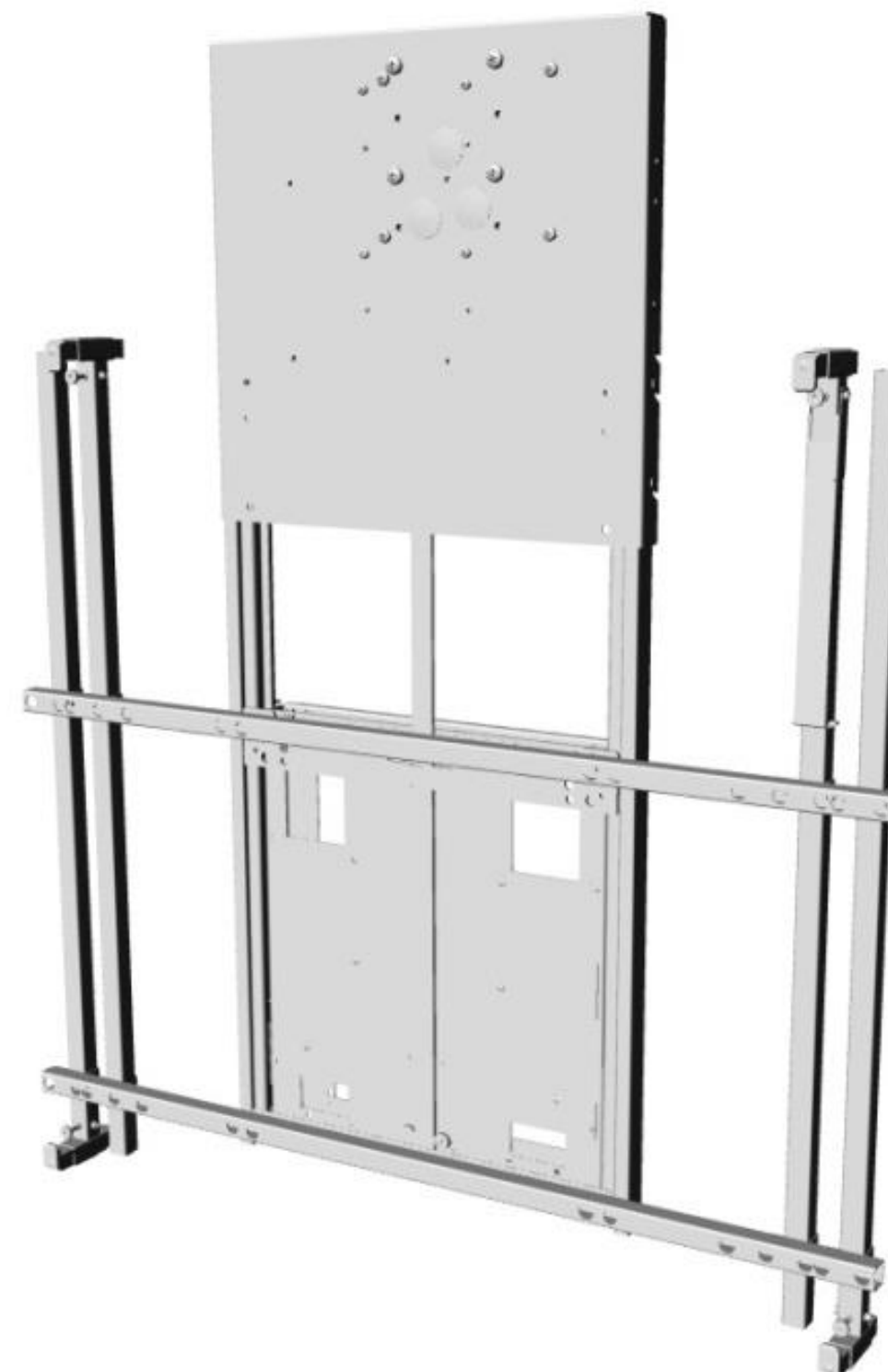


= Refer to another installation manual

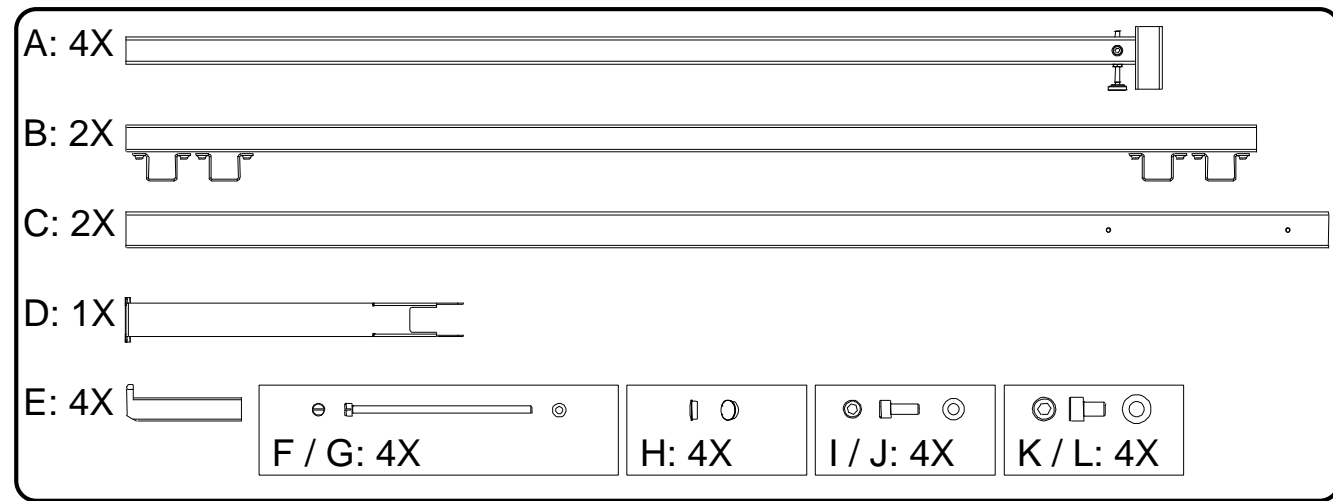
t = thickness of the (interactive) whiteboard

HI = outside height of the (interactive) whiteboard

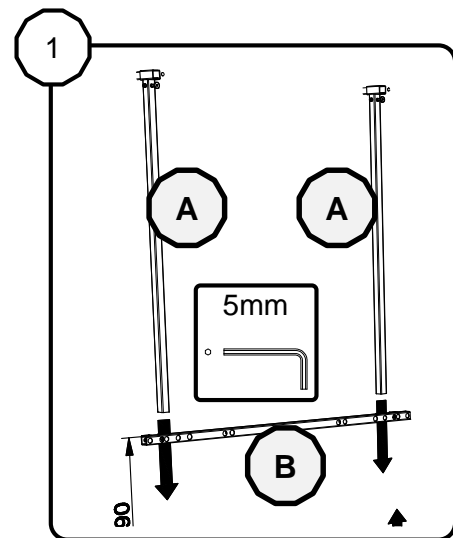
## Universal Connection Frame for LiftBox for IWB's Installation manual



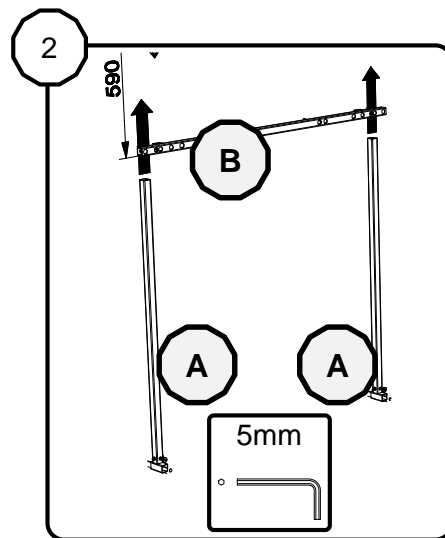
Universal Connection Frame for LiftBox for IWB's



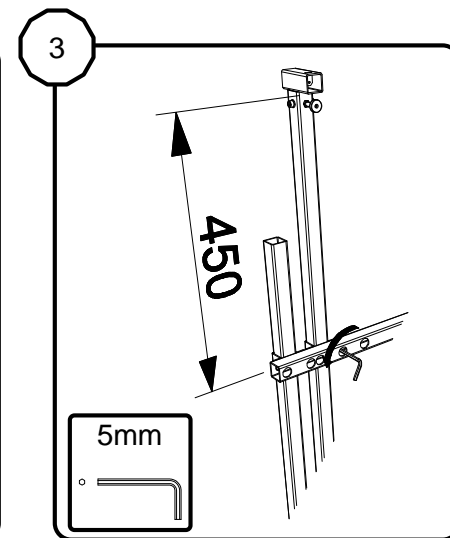
Contents of the box



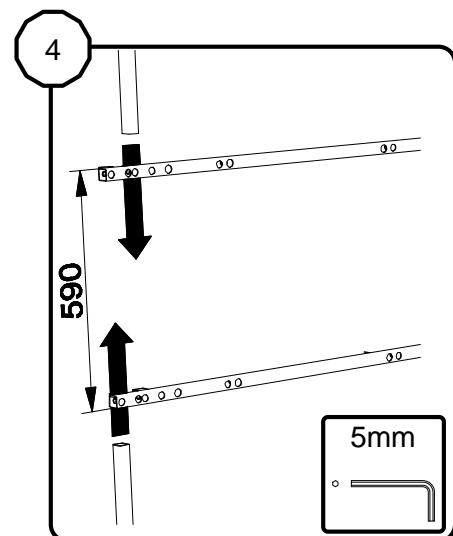
Assemble



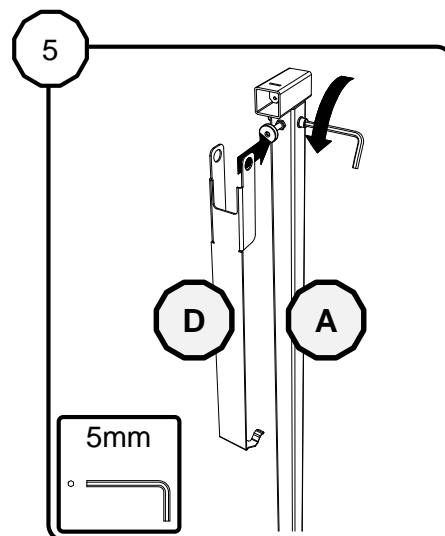
Assemble



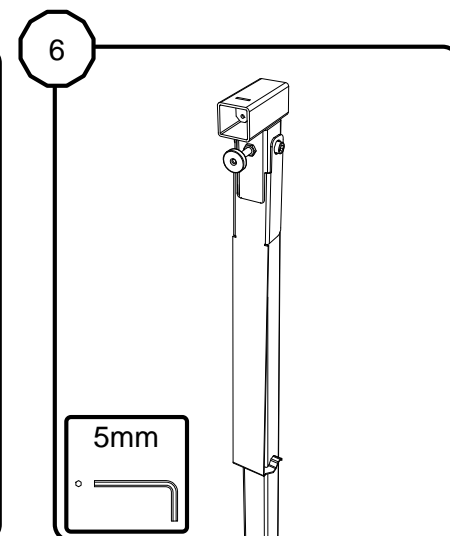
Set at 450 mm



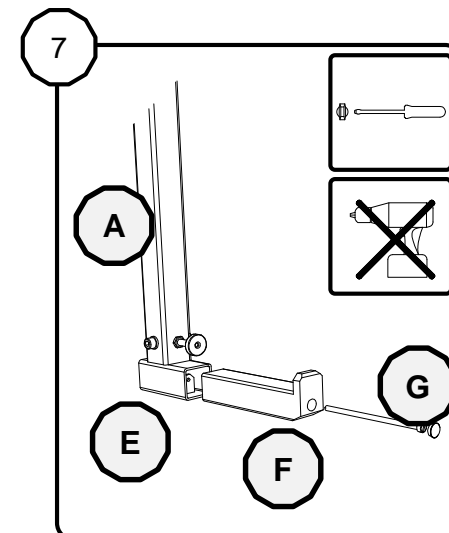
Set at 590 mm left / right



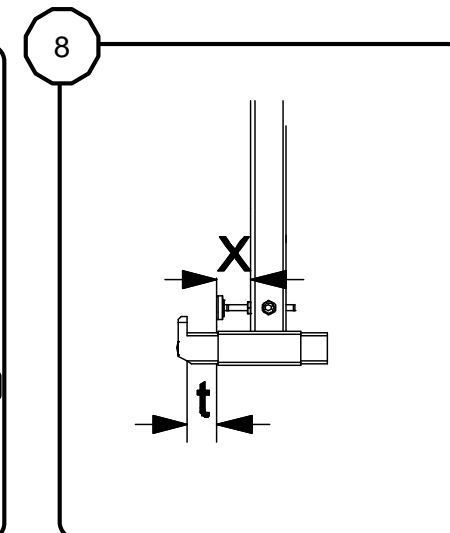
Undo bolt and mount bracket D



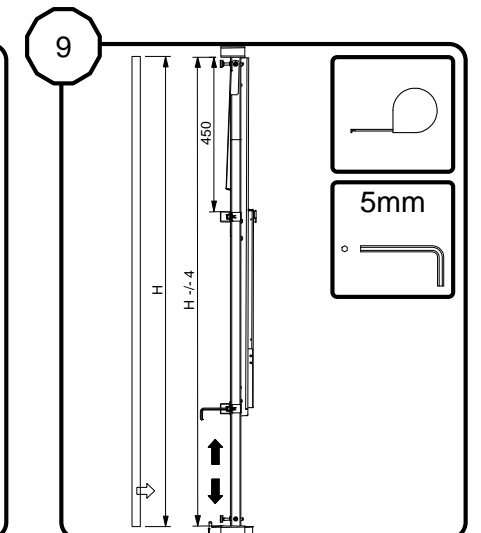
Fasten bolt again



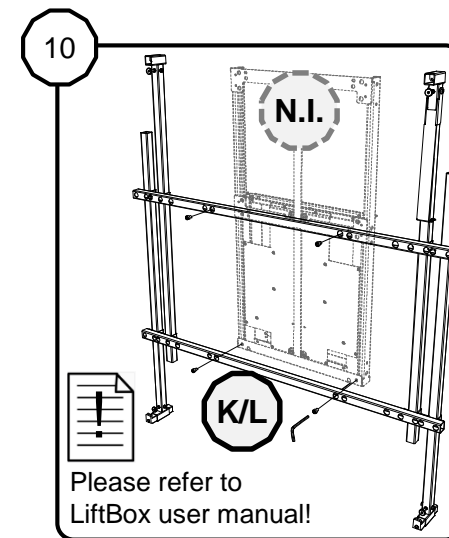
Assemble 2x bottom only



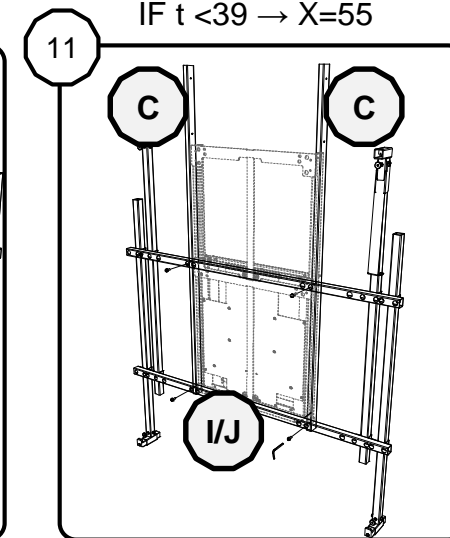
IF  $t > 39 \rightarrow X=30$   
IF  $t < 39 \rightarrow X=55$



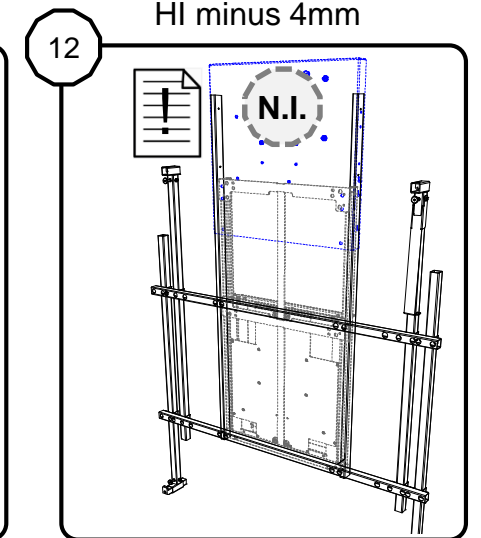
Measure  $H_1$  and set at  
 $H_1$  minus 4mm



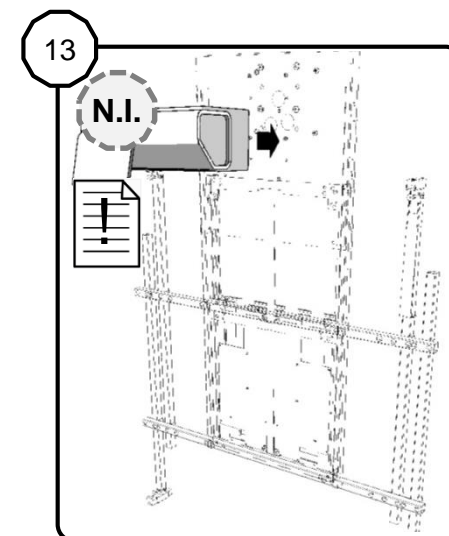
Mount frame to liftbox



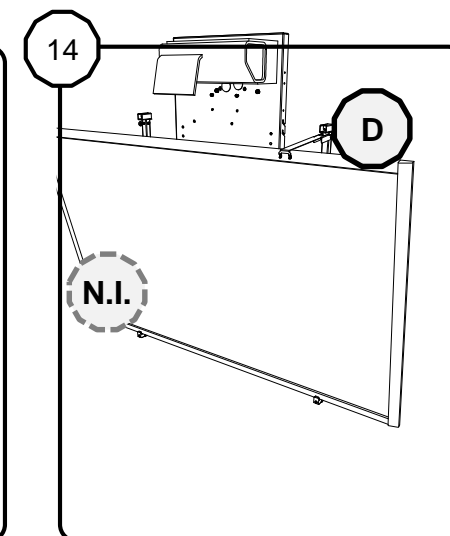
Mount tubes C to frame



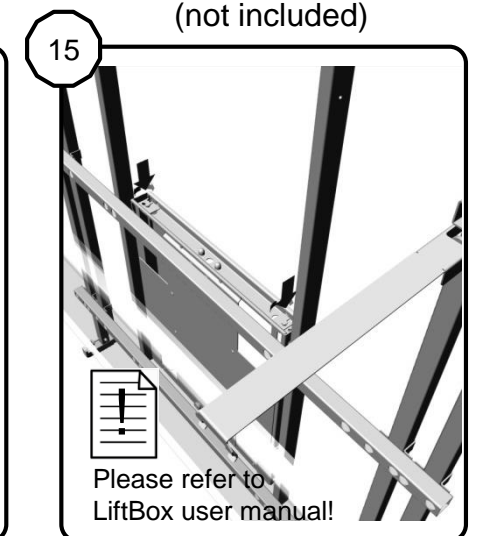
Mount projector plate  
(not included)



Mount projector and  
cabling (not included)



Mount whiteboard in service  
position, use hook D



Set balance on LiftBox  
Refer to LiftBox manual