

MULTI Touch Speakers Installation Guide

Note: For wall installation of MULTI Touch boards with MULTI Touch Speakers use 40 mm Wall Mount supplied with MULTI Touch Speakers

1. Attach suspender (6) by screwing to board, see figure 1
2. Measure the position of top hangers for hanging (3), see figure 1
3. Install wall plugs (1) and hangers 40mm (3), see figure 1

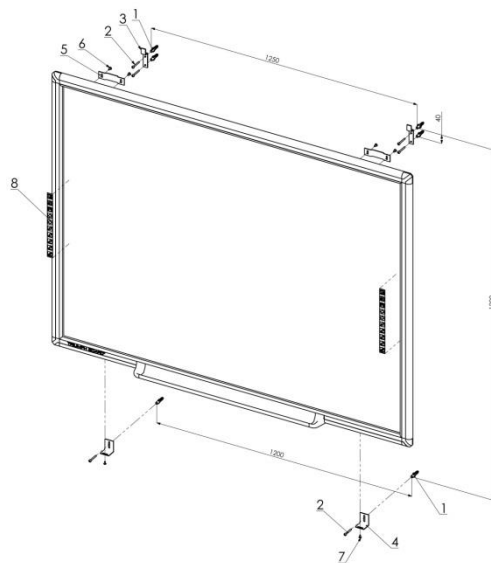


Figure 1

4. Use double side tape to attach the speaker's HUB in center of the pen tray,
5. Attach speakers to the frame from back of the board, see figure 2

Note:

For IWBs EAN 8592580120015, 8592580120008, please use M6 screws.

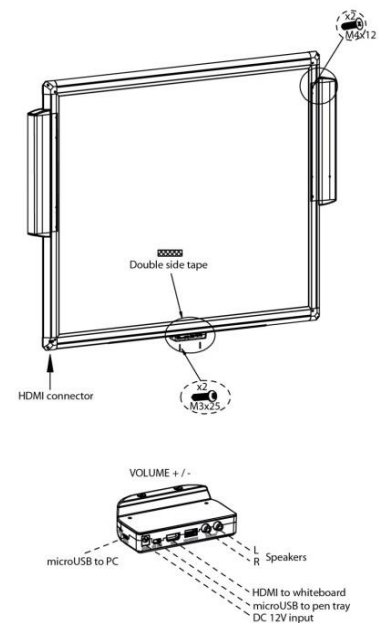


Figure 2

6. Lead / hide cables behind the board using tape
7. Install pentray with HUB on the board
8. Connect HDMI – HDMI and L and R Audio cables, see figure 3

Note: For IWBs EAN 8592580120015, 8592580120008, please use the USB output with **USB – USB B** cable attached in the IWB box.

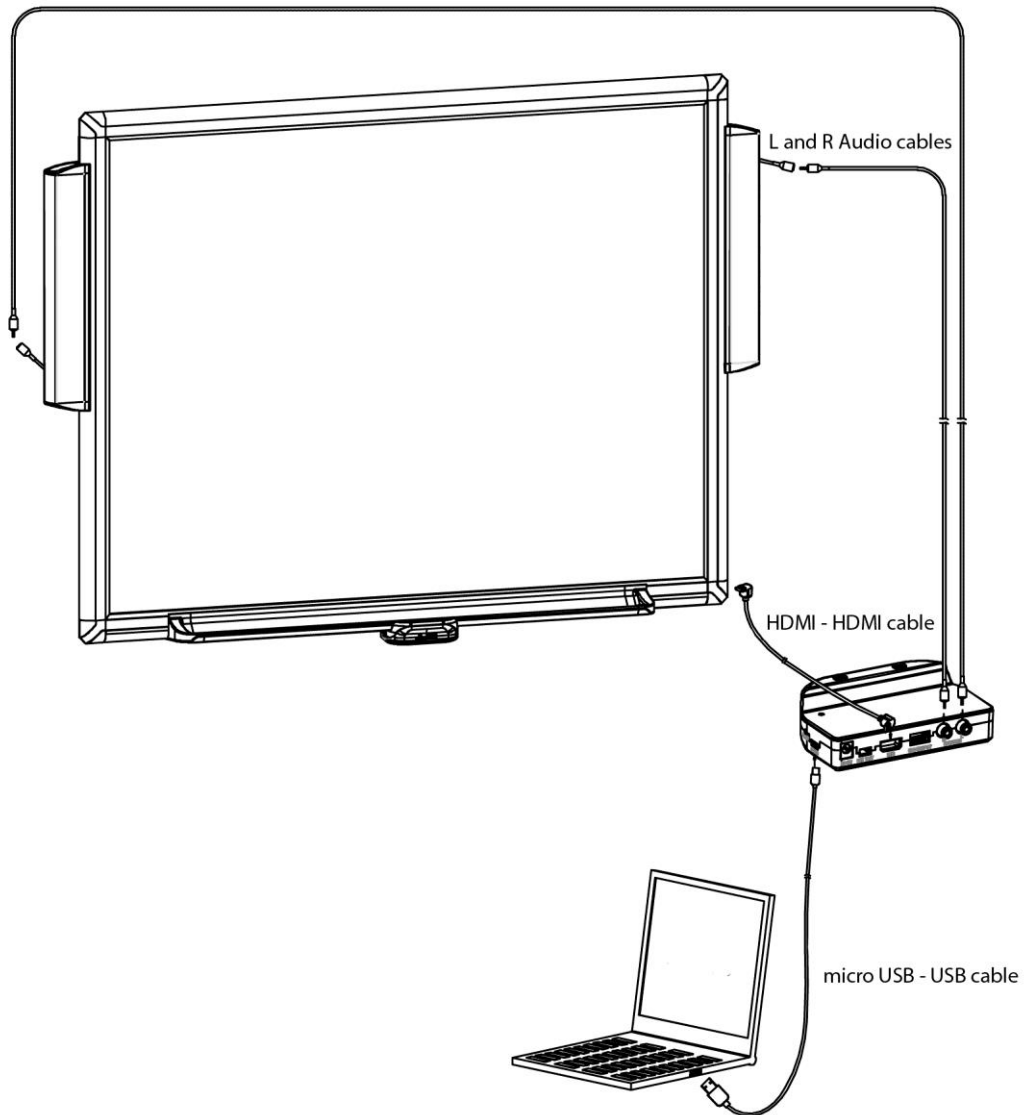


Figure 3

9. Measure and install wall plugs (1), screws (2) and square (4), see figure 1
10. Hang board on the wall
11. Connect board to the PC with micro USB - USB cable, see figure 3