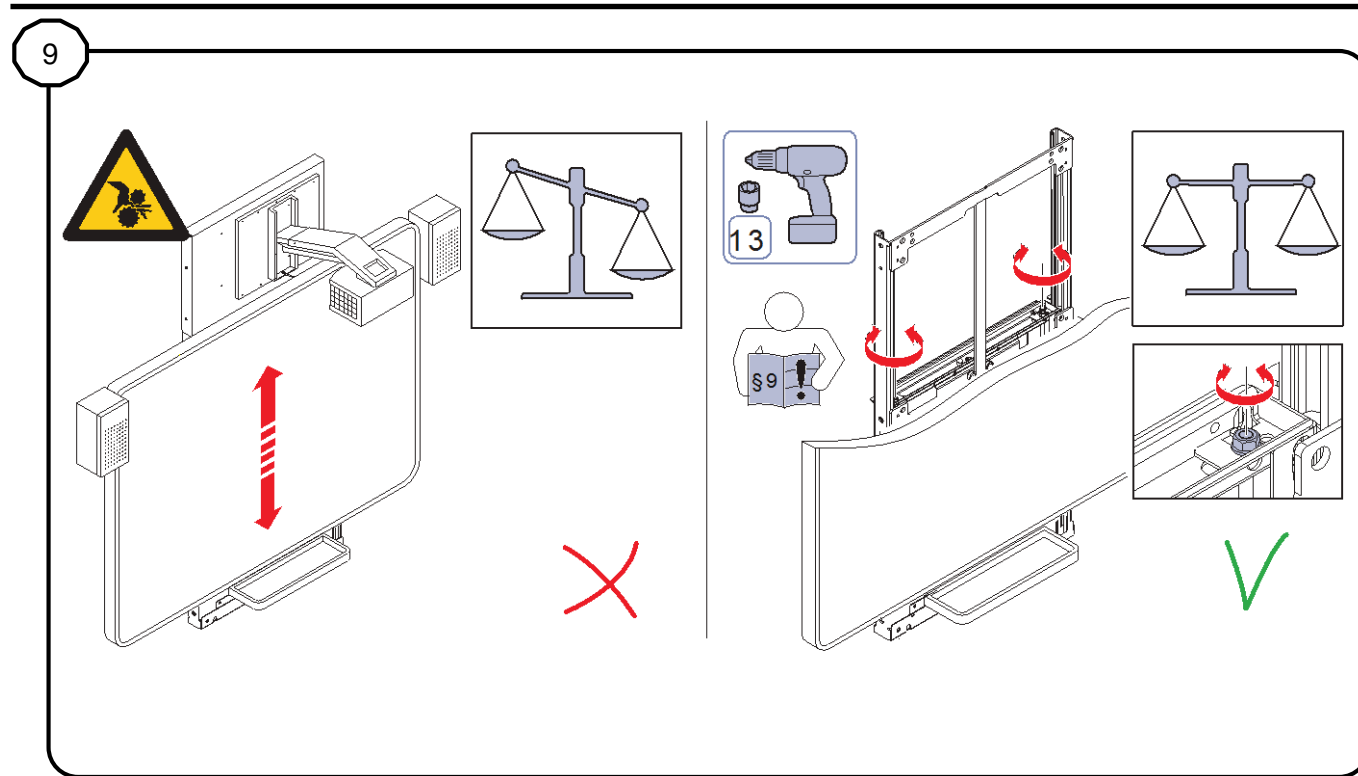
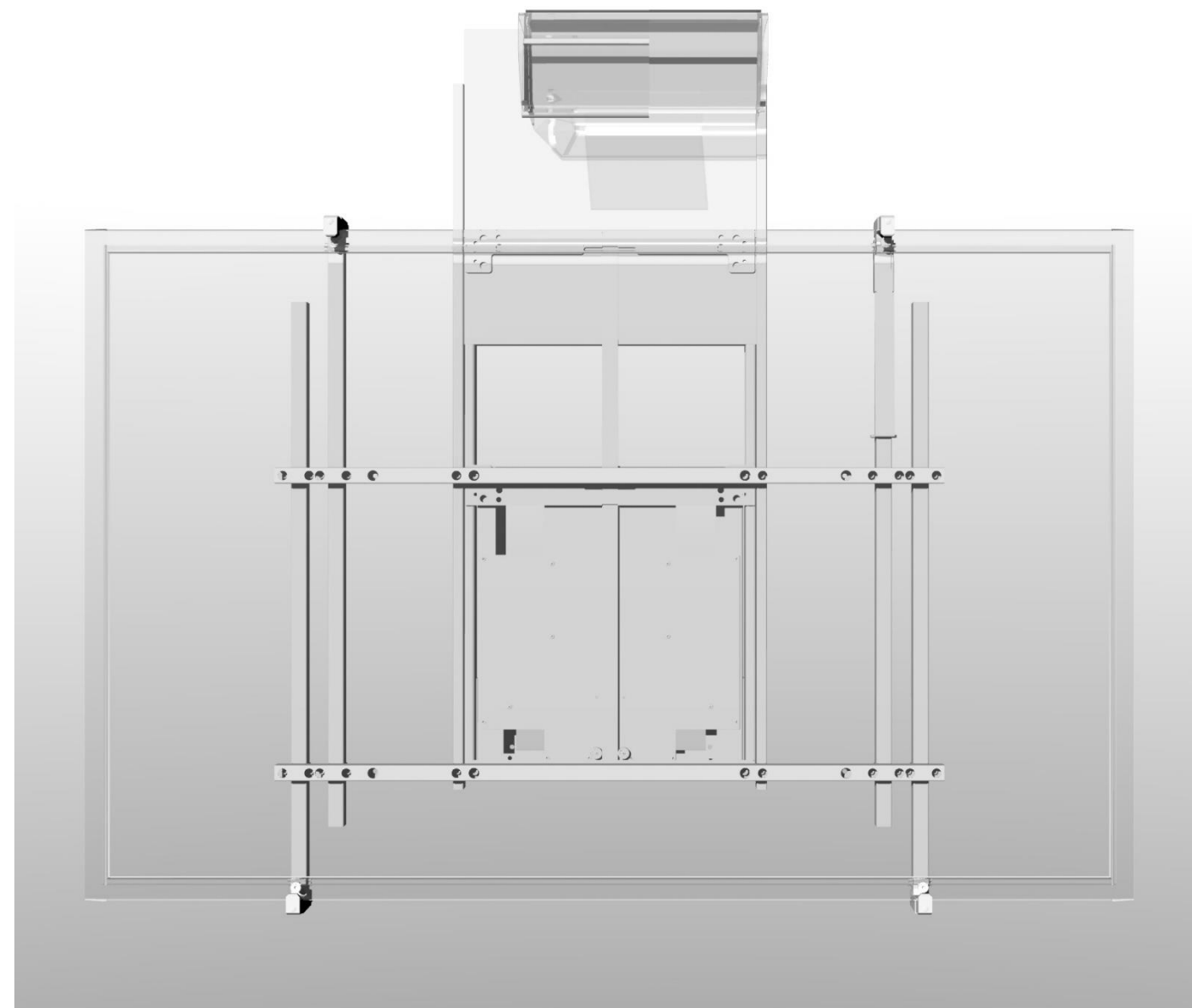


### LiftBox® for IWB's

### LiftBox® for IWB's Installation manual

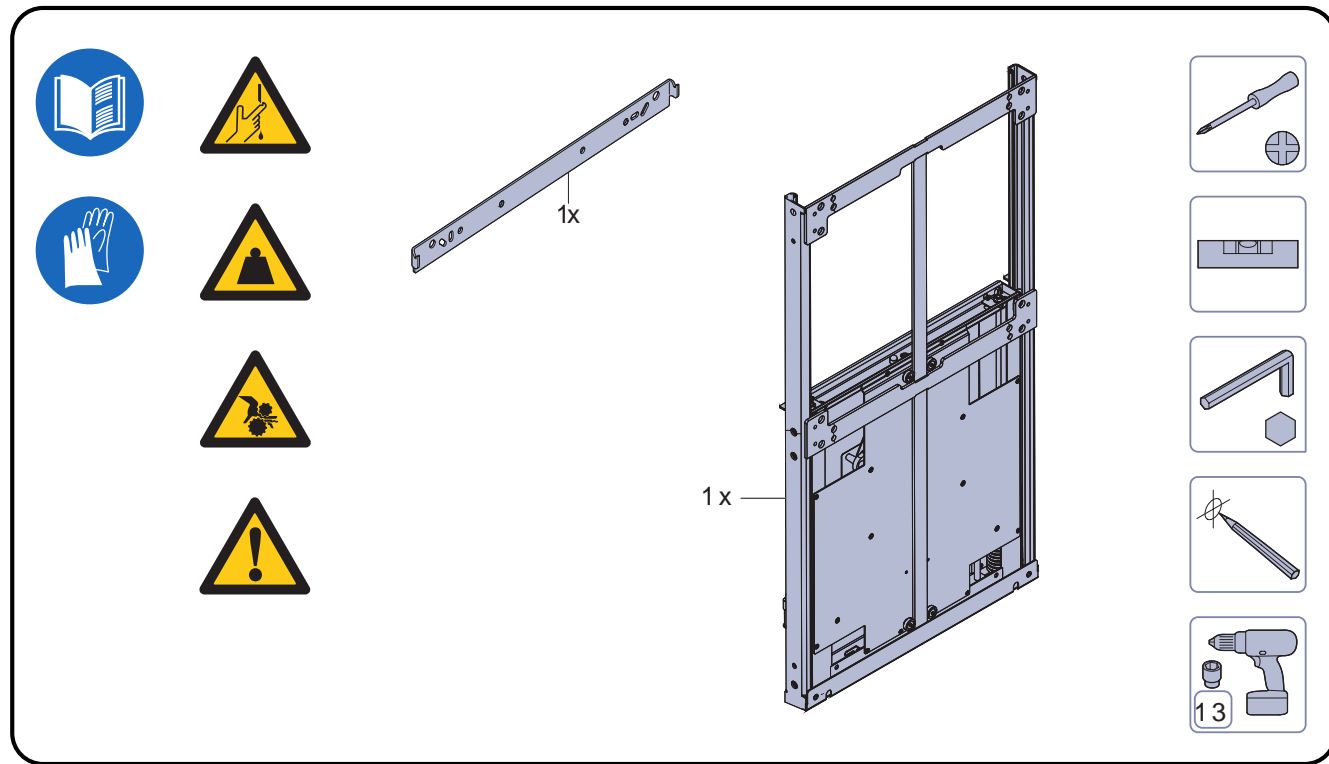


SET BALANCE, USE DRILL DRIVER LEFT/RIGHT  
5 SEC COUNTER CLOCKWISE UNTIL BALANCED

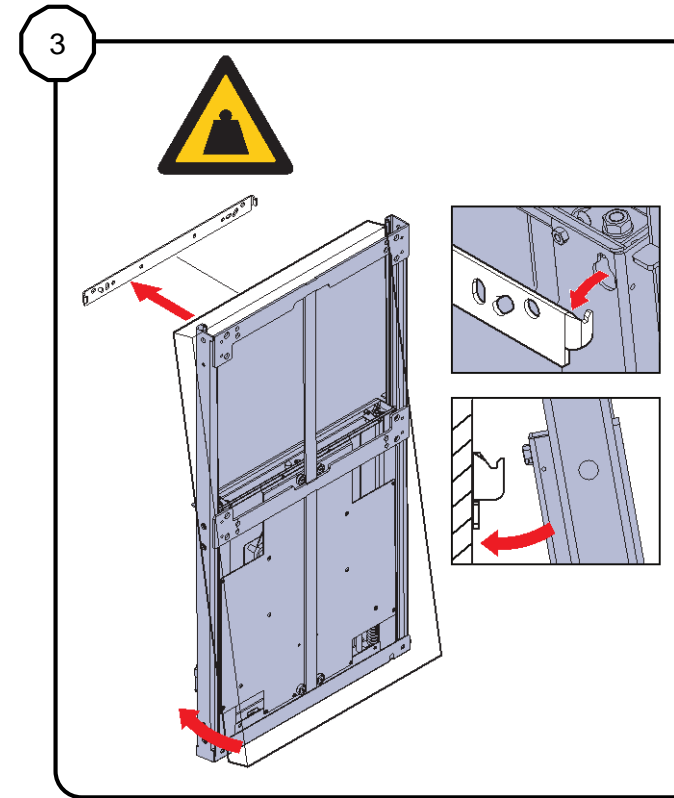


EAN: 8592580082788

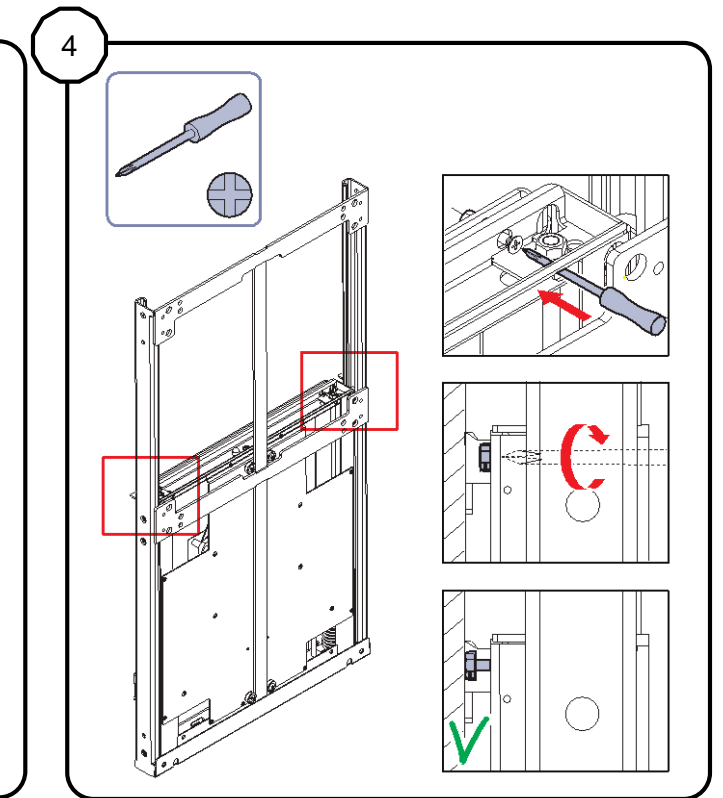
LiftBox® for IWB's



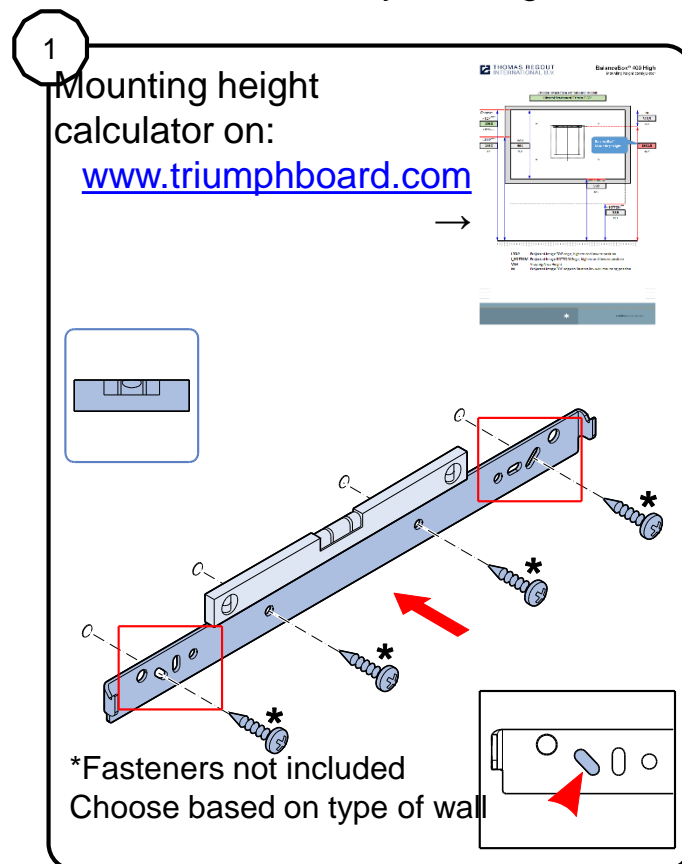
Safety warnings, contents of the box, tools needed



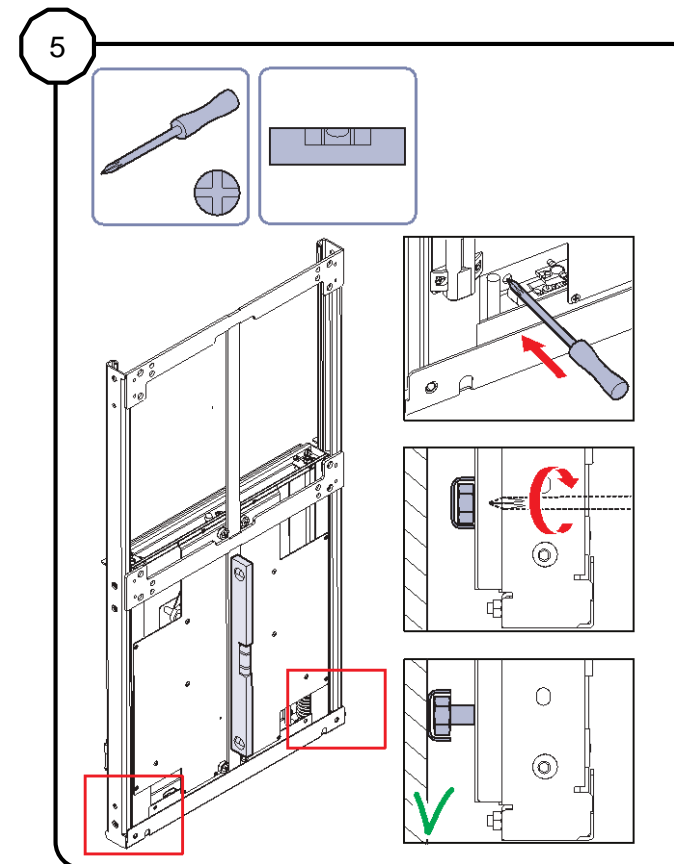
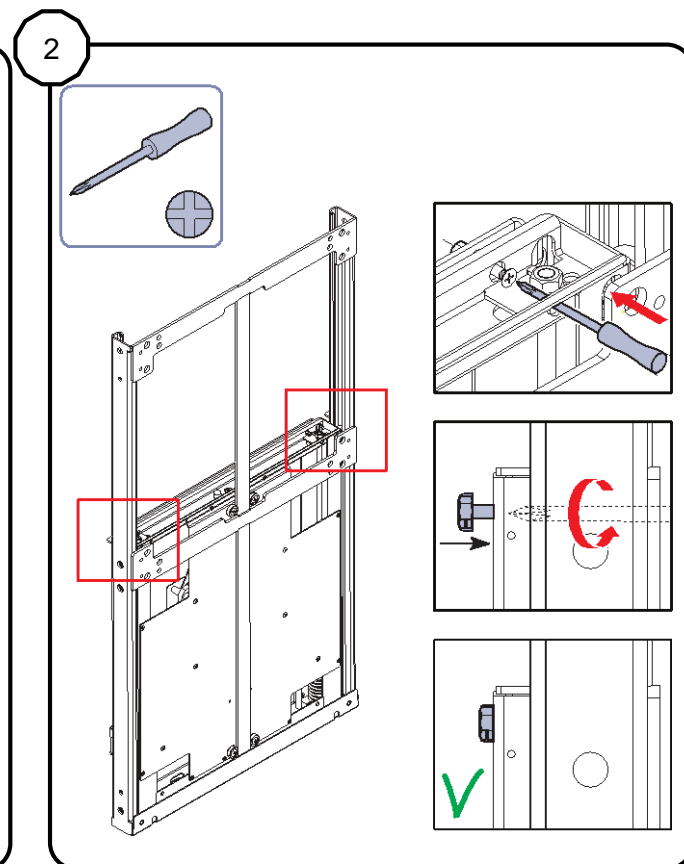
LIFT LIFTBOX ONTO THE BRACKET



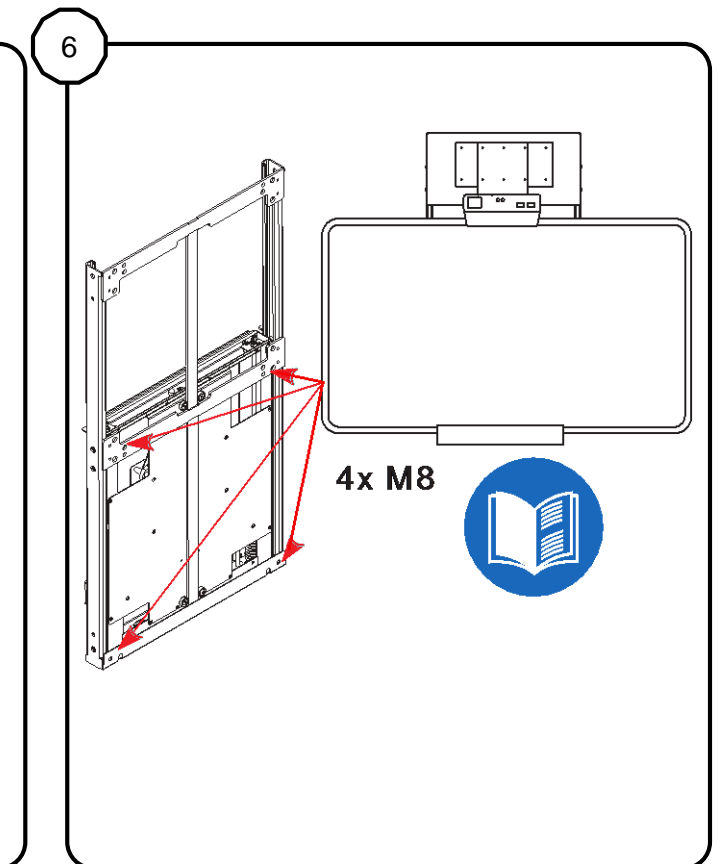
LOCK LIFTBOX WITH LOCK SCEWS



MOUNT WALL BRACKET LEVEL TO THE WALL



LEVEL VERTICALLY WITH FEET AT THE BOTTOM



USE LIFTBOX ACCESSORIES

