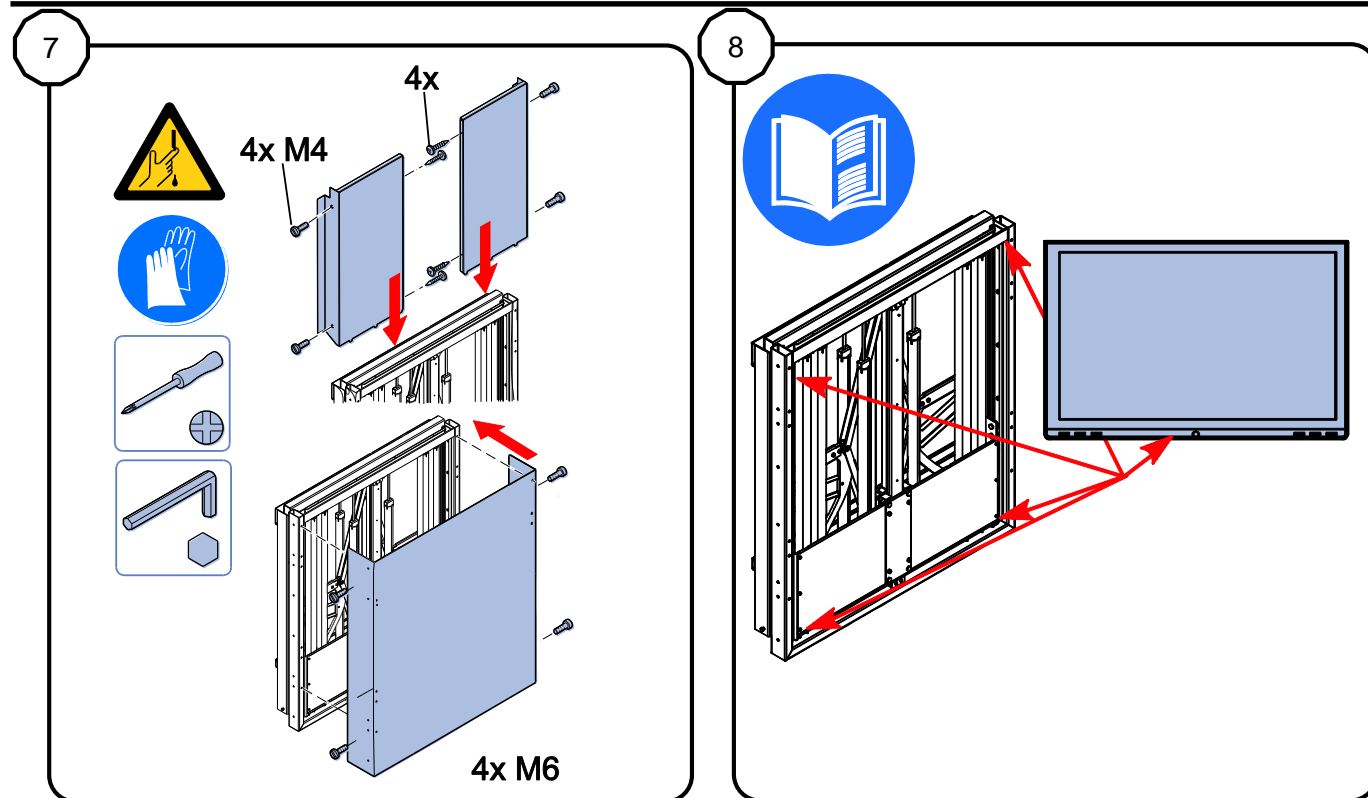


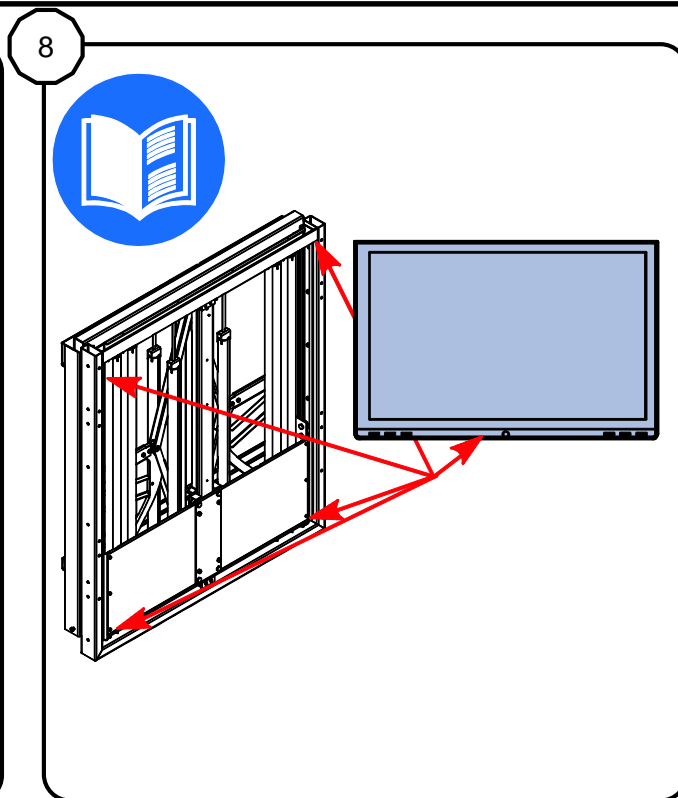
LiftBox® 650

LiftBox® 650

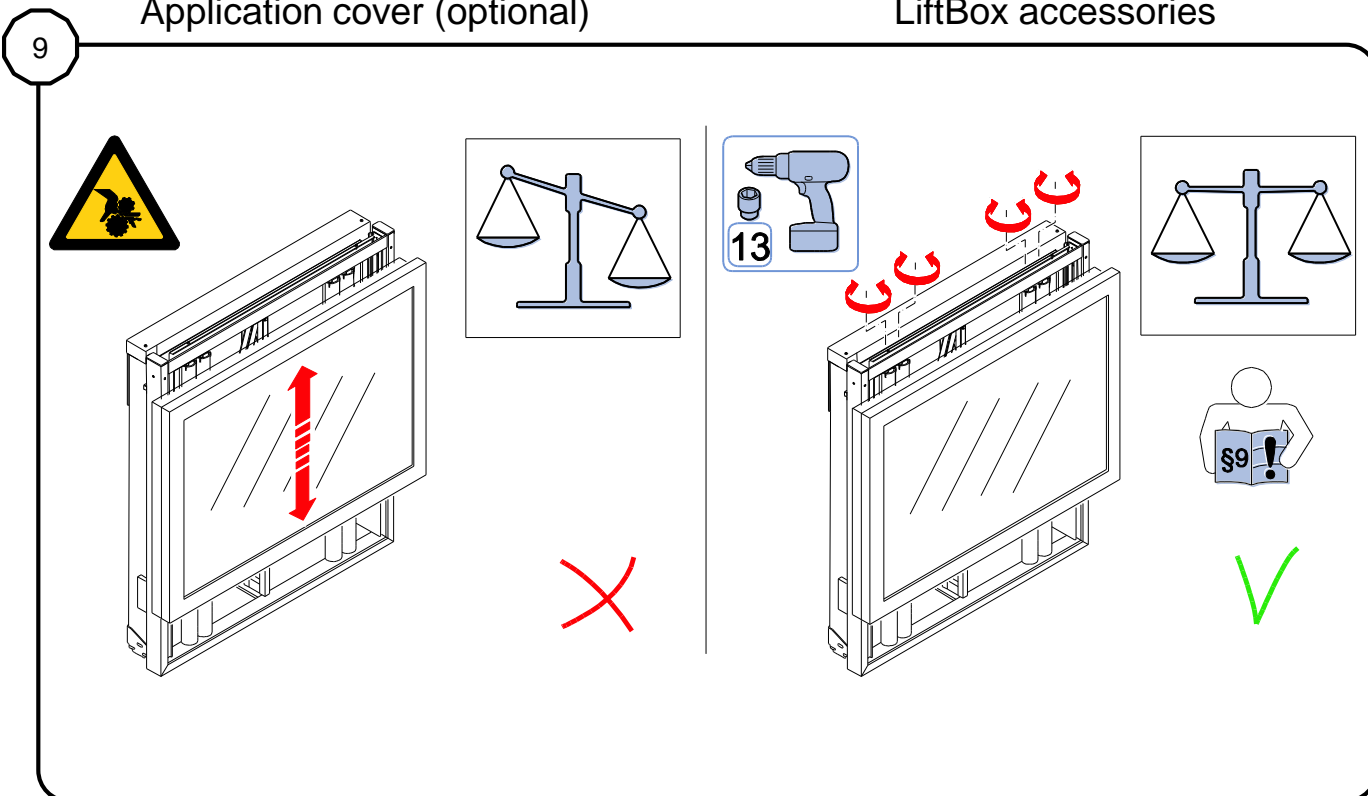
Installation manual



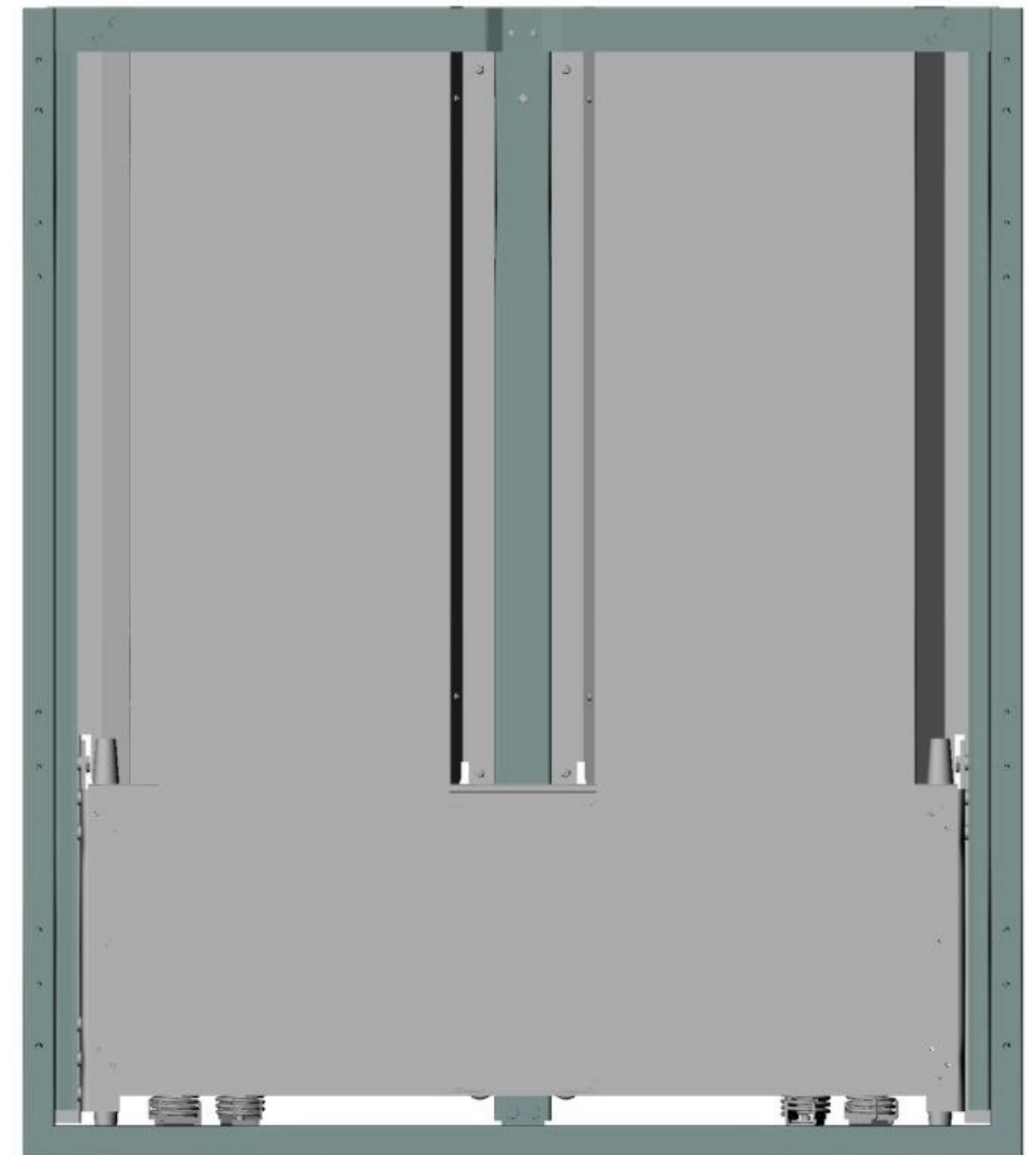
Mount wall frame covers and Application cover (optional)



Mount the touchscreen, use LiftBox accessories



Set the balance, use a drill-driver with a 13 mm socket on 2 outer springs marked green  
Drive counter clockwise 5 seconds each until balanced



LiftBox® 650

1x [Panel] 4x self tapping screws 4x M4  
1x [Bracket] 2x M6  
1x [Panel] 4x M6  
Optional [Panel] 4x M6

Tools: Screwdriver, Spirit level, L-shaped bracket, Hex nut, Drill, Drill bit.

Warnings: Read manual, High voltage, Heavy load, Sharp edges, General warning.

2x [Person icon]

13

Safety warnings, contents of the box, tools needed

3

2x M6

Remove wall bracket

4

Mounting height calculator on:  
[www.triumphboard.com](http://www.triumphboard.com)

Tools: Spirit level, Drill bit, Drill.

\*Fasteners not included  
Choose based on type of wall  
Use 4x 8mm  
(Not included)

Mount bottom wall bracket level to the wall

1

4x M6  
Optional

Remove application cover (optional)

2

4x [Cover] 4x M4

Warnings: High voltage, Sharp edges.

Tools: Screwdriver, L-shaped bracket, Hex nut.

Remove wall-frame covers

5

Use min 4x 8mm screws  
(not included)

Warnings: Heavy load, 2x [Person icon].

Lift LiftBox on wall bracket, mark top holes. Take LiftBox down and drill holes

6

2x M6

Warnings: Heavy load, 2x [Person icon].

Fix LiftBox at the top. Then level and fix at the bottom

