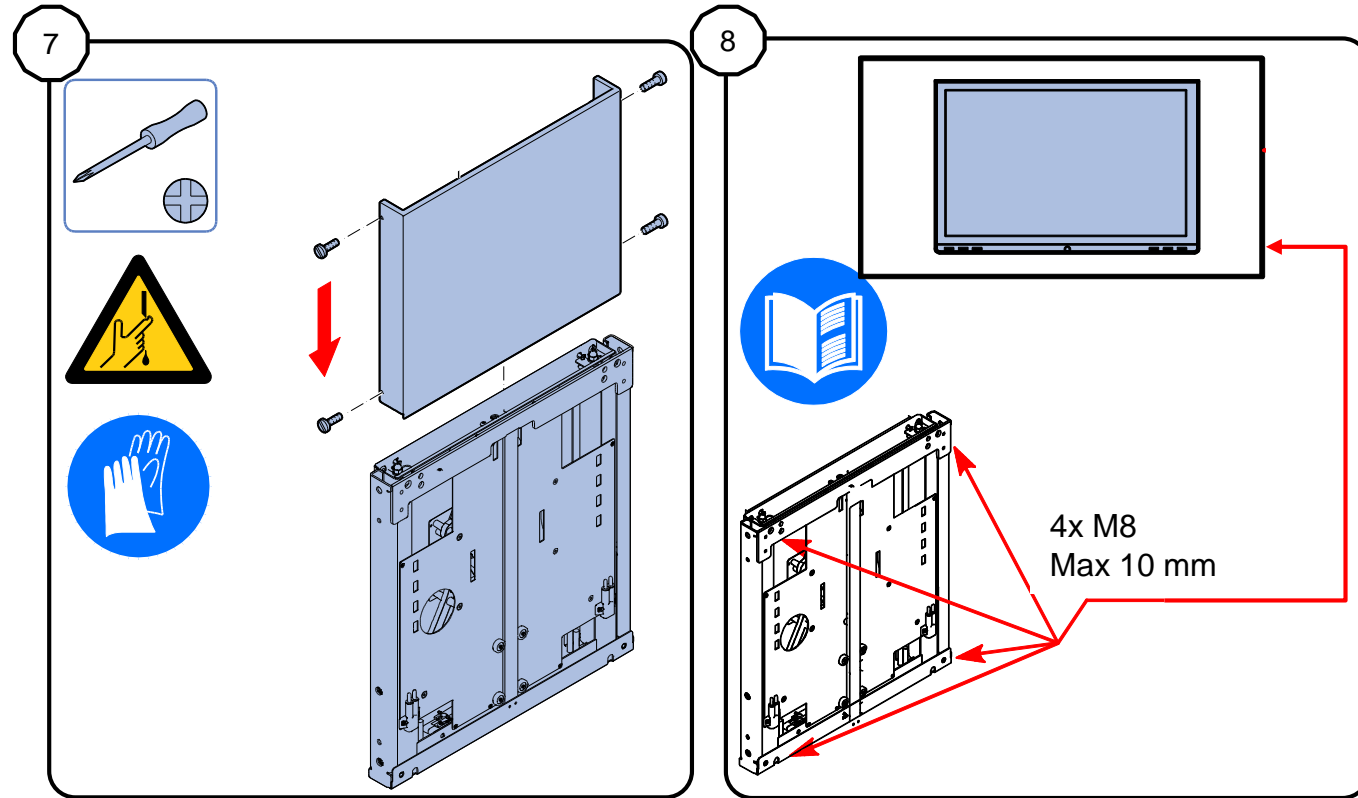


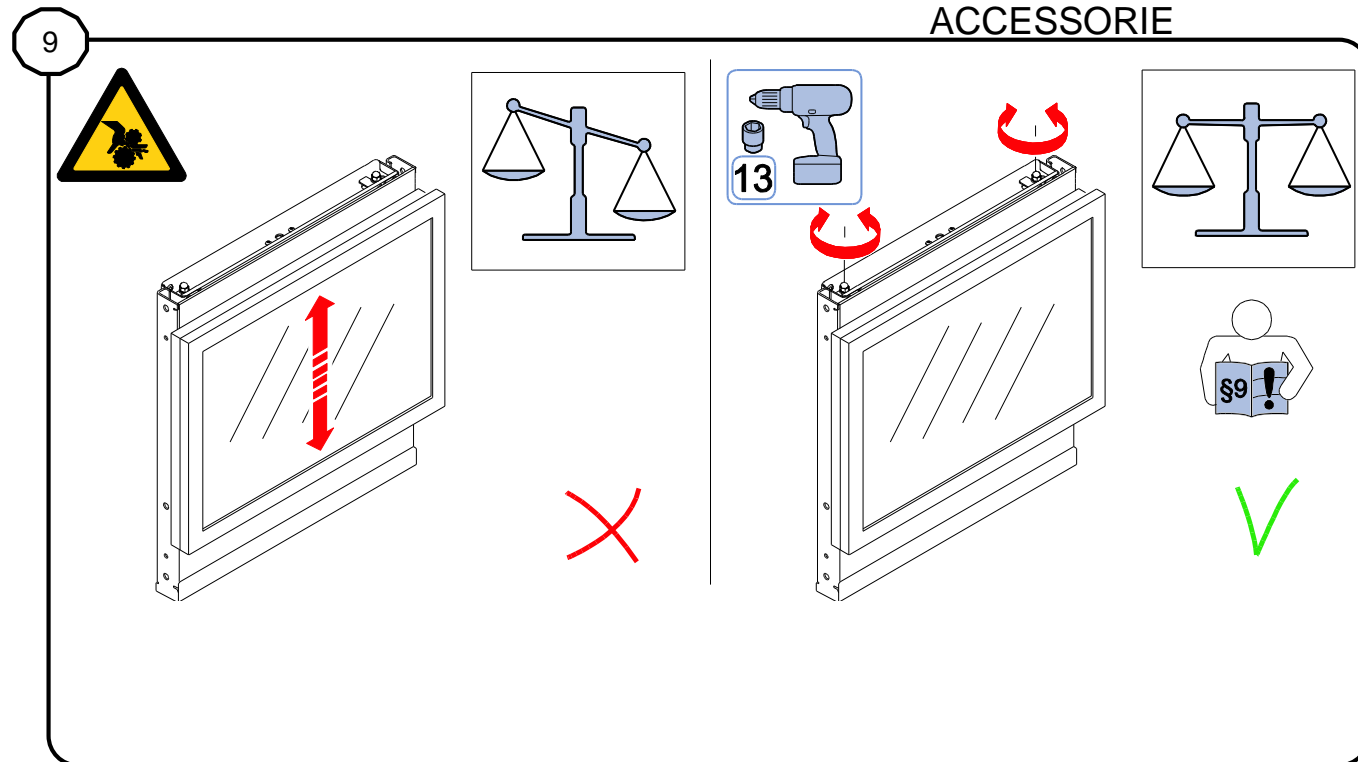
LiftBox® for 65" / 70" LED LCD

LiftBox® for 65" / 70" LED LCD
Installation manual

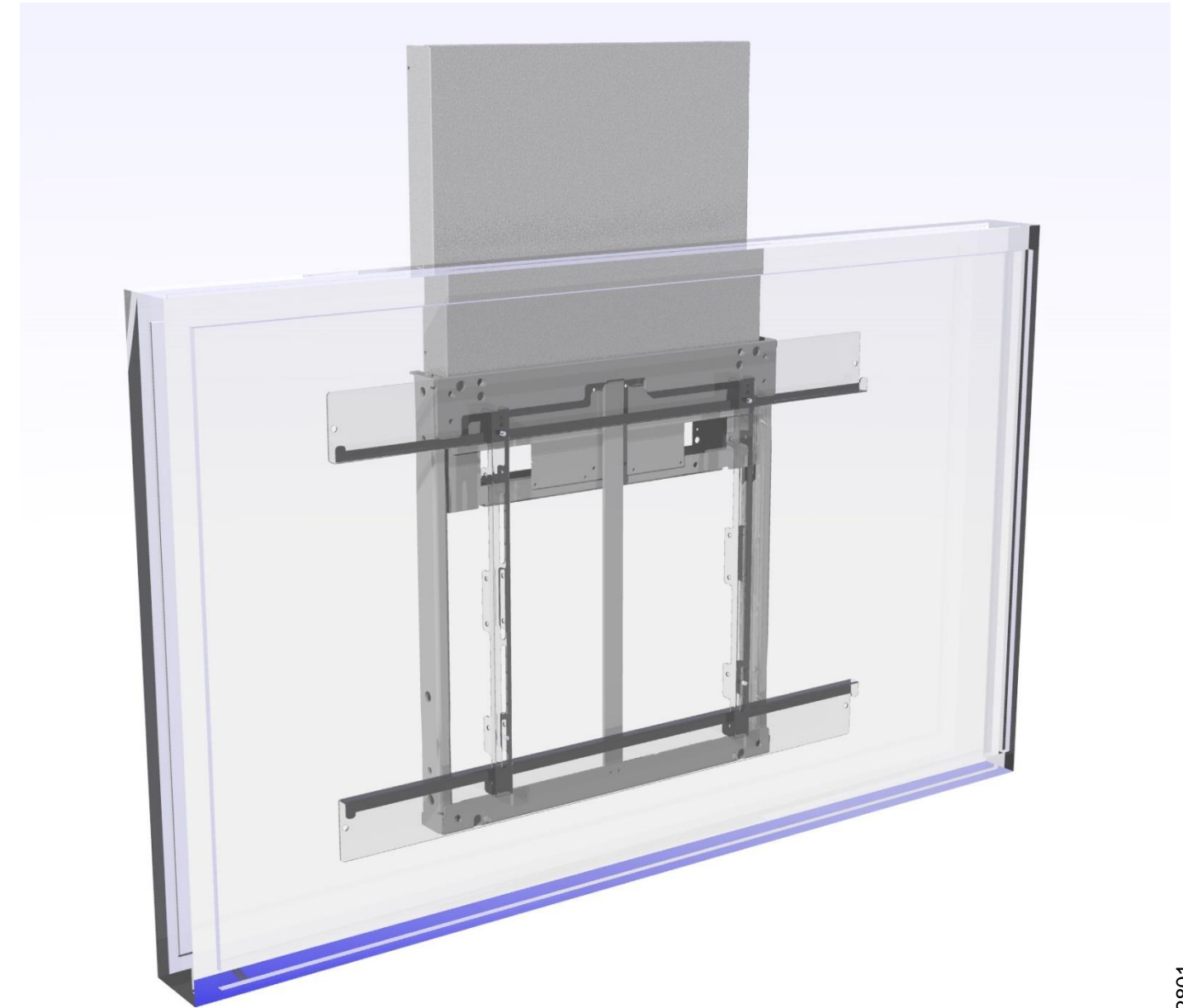


MOUNT APPLICATION COVER

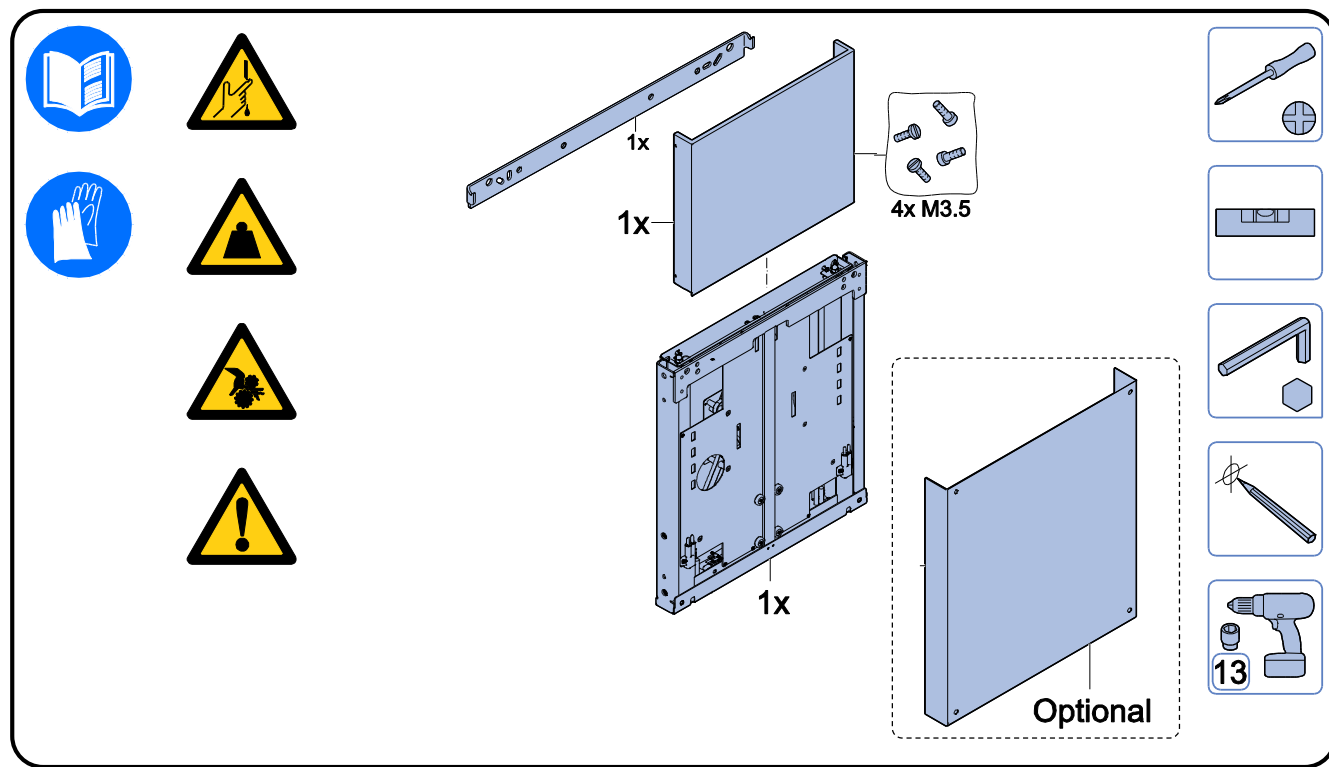
USE LIFTBOX VESA BRACKET
ACCESSORIE



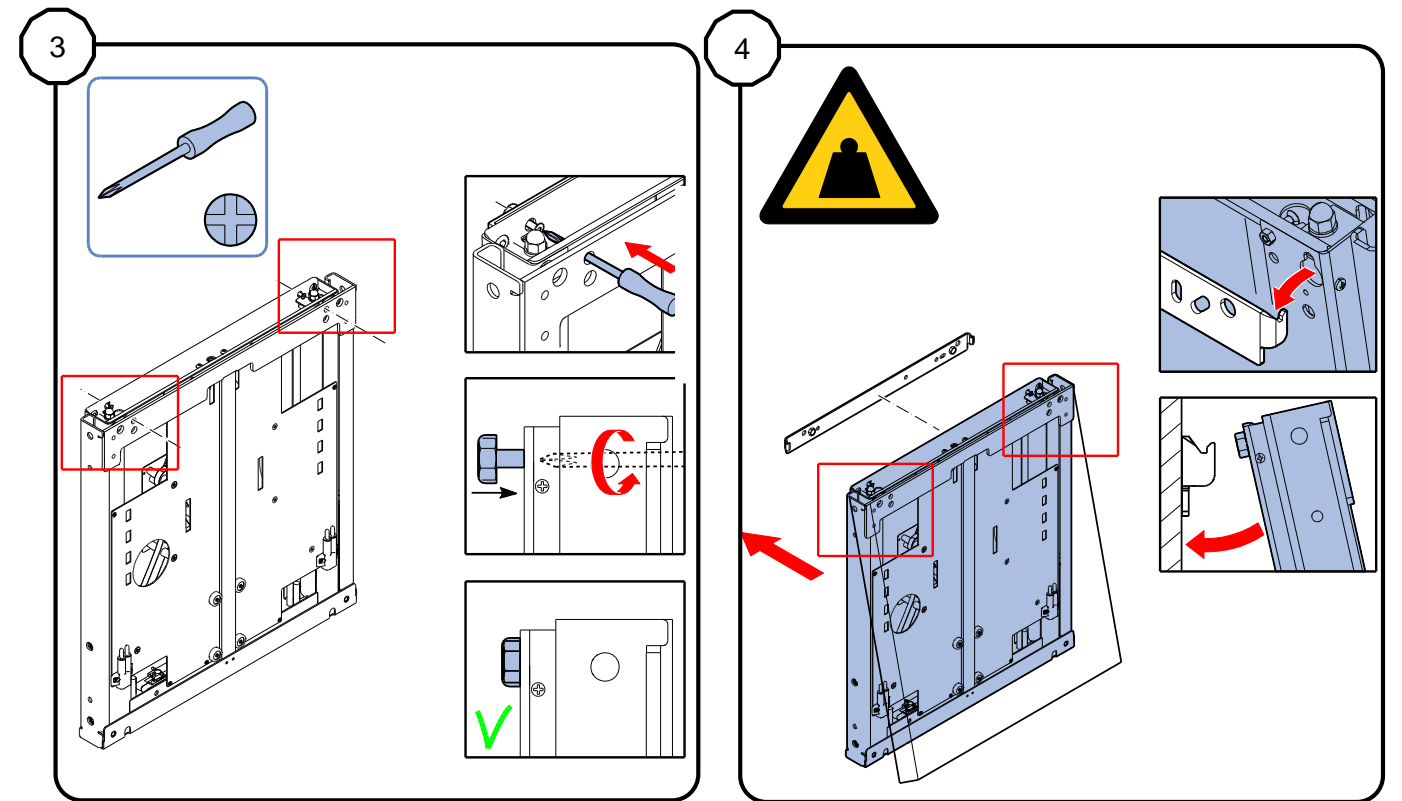
SET BALANCE, USE DRILL DRIVER LEFT/RIGHT
5 SEC COUNTER CLOCKWISE UNTIL BALANCED



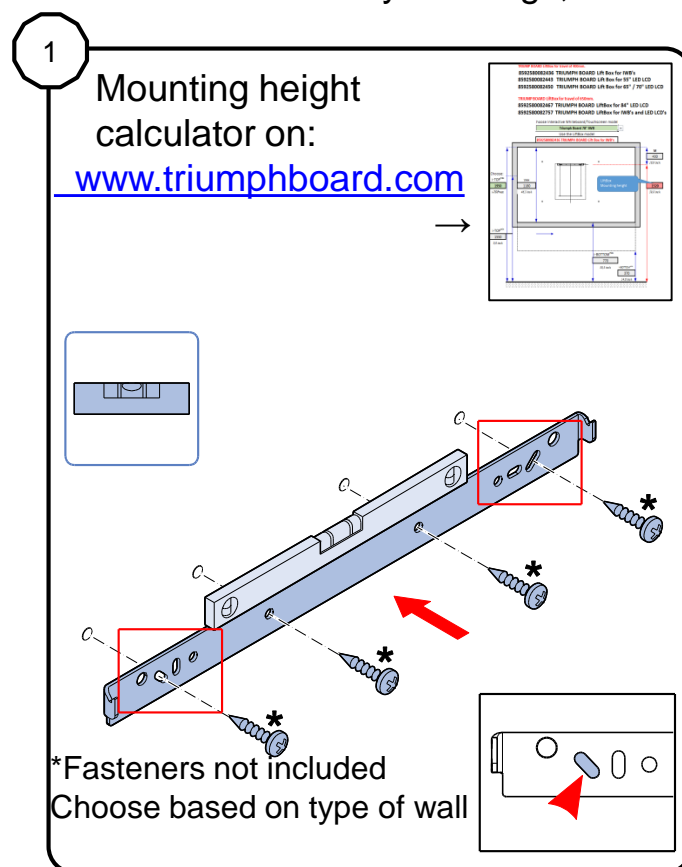
LiftBox® for 65" / 70" LED LCD



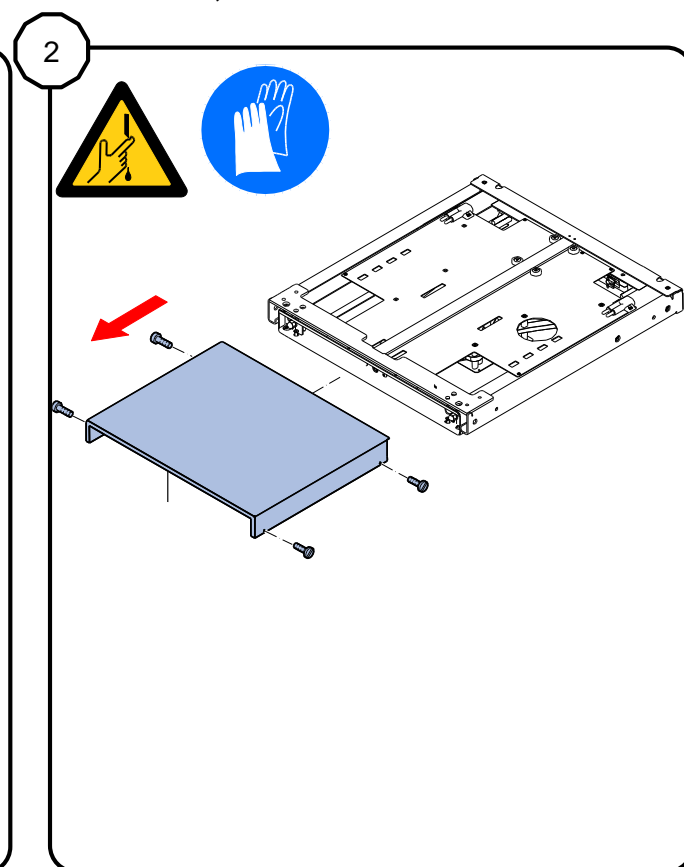
Safety warnings, contents of the box, tools needed



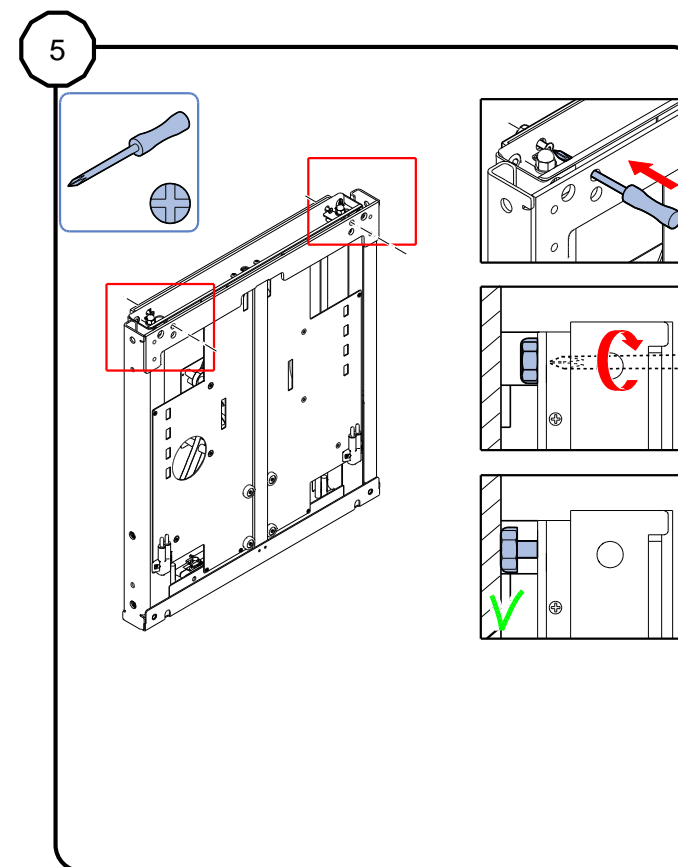
MAKE SURE SCREWS ARE UNLOCKED LIFT LIFTBOX ONTO THE BRACKET



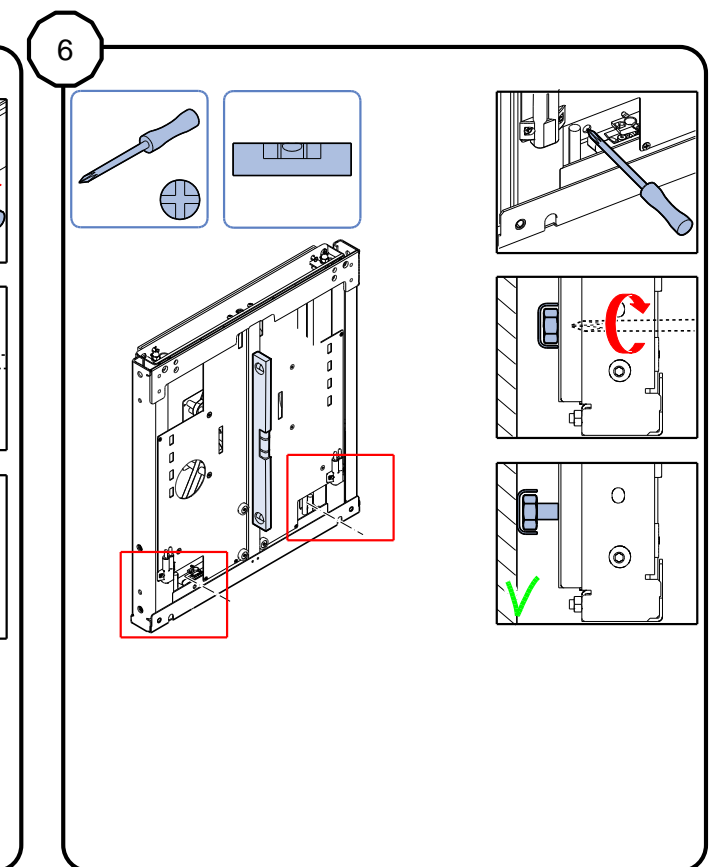
MOUNT WALL BRACKET LEVEL TO THE WALL



REMOVE COVER FROM LIFTBOX



LOCK LIFTBOX WITH LOCK SCREWS



LEVEL VERTICALLY WITH FEET AT THE BOTTOM

