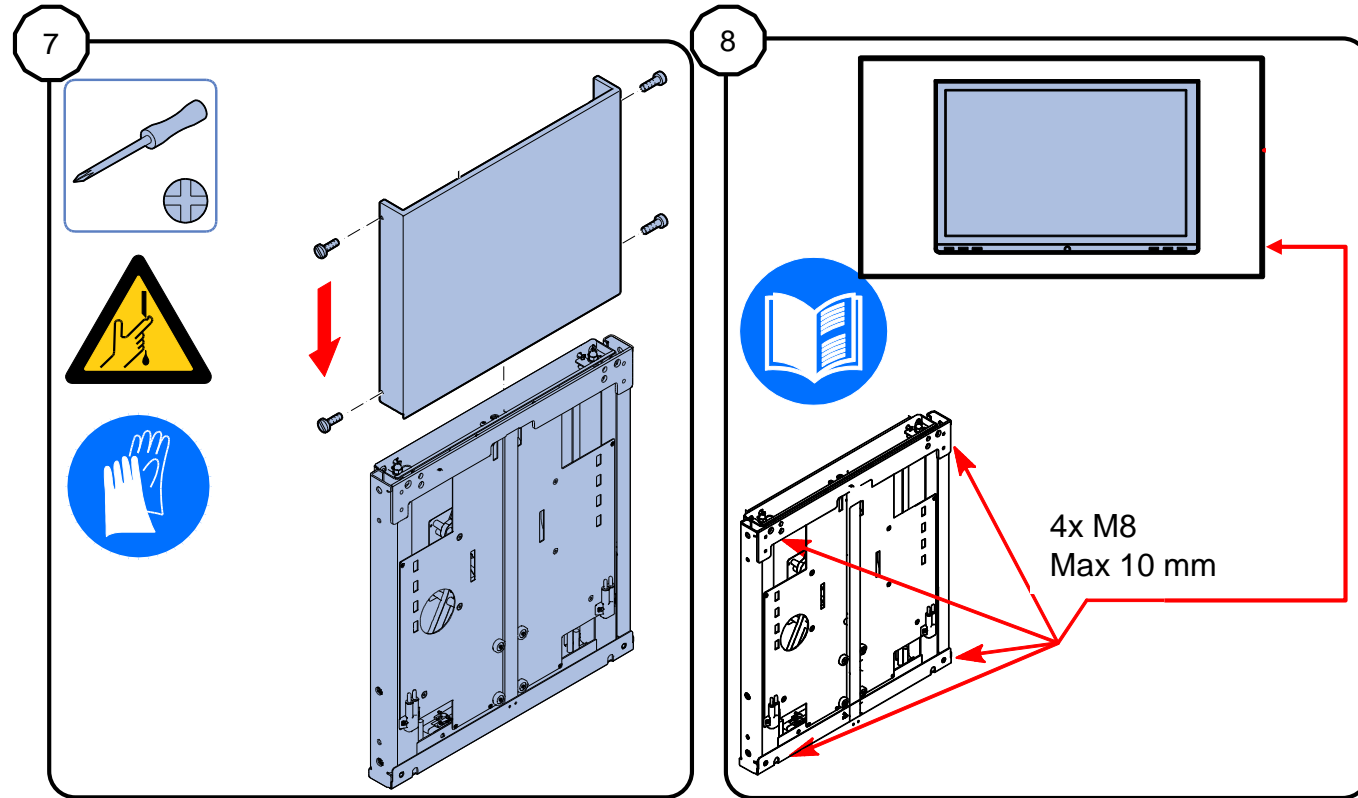


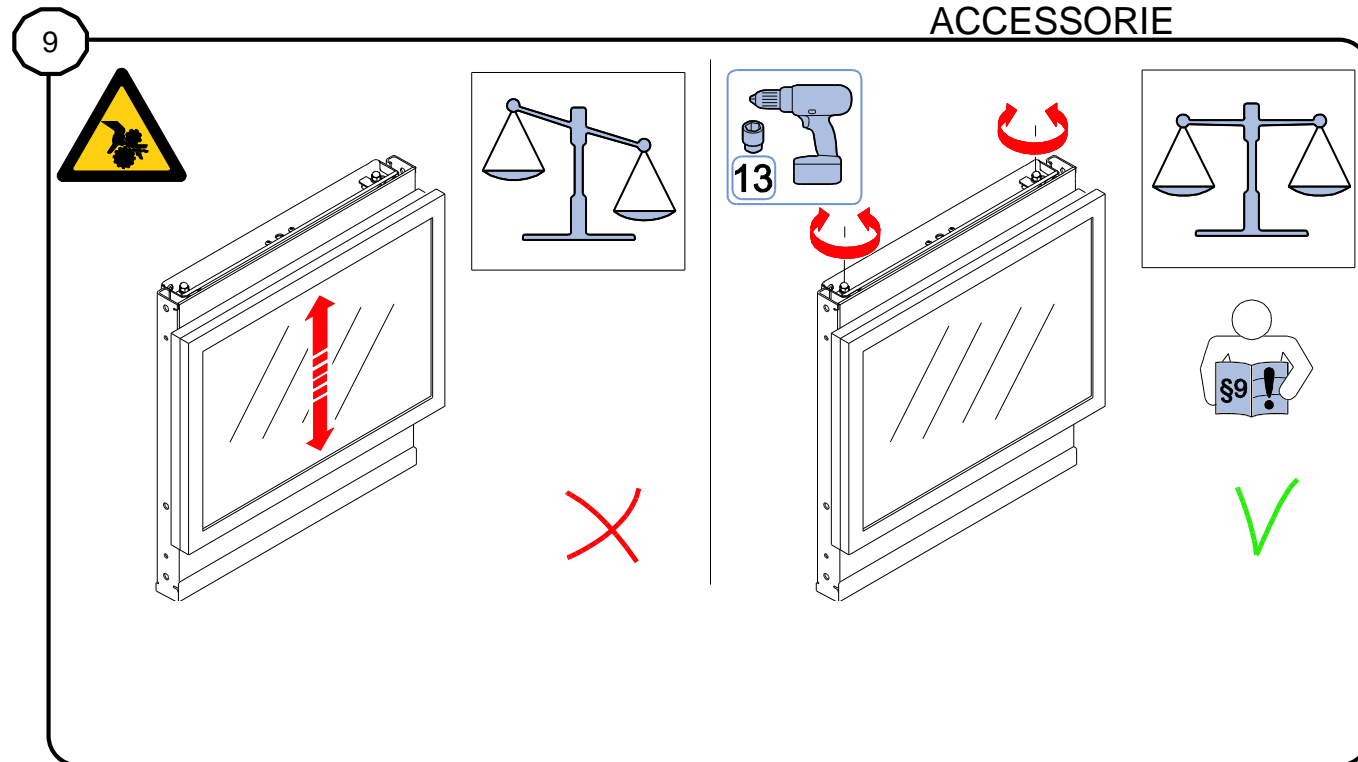
LiftBox® for 65" / 70" LED LCD

LiftBox® for 65" / 70" LED LCD
Installation manual

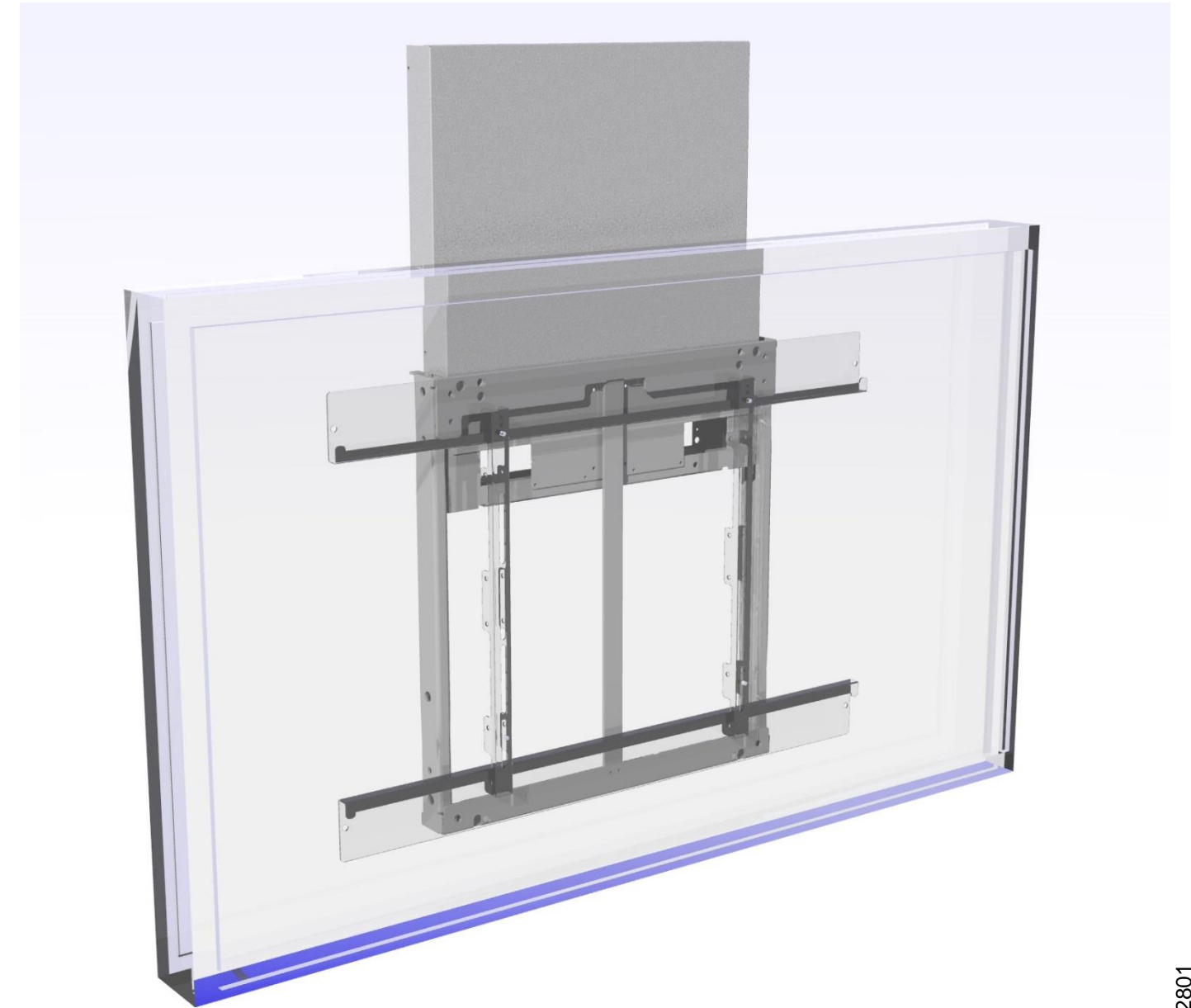


MOUNT APPLICATION COVER

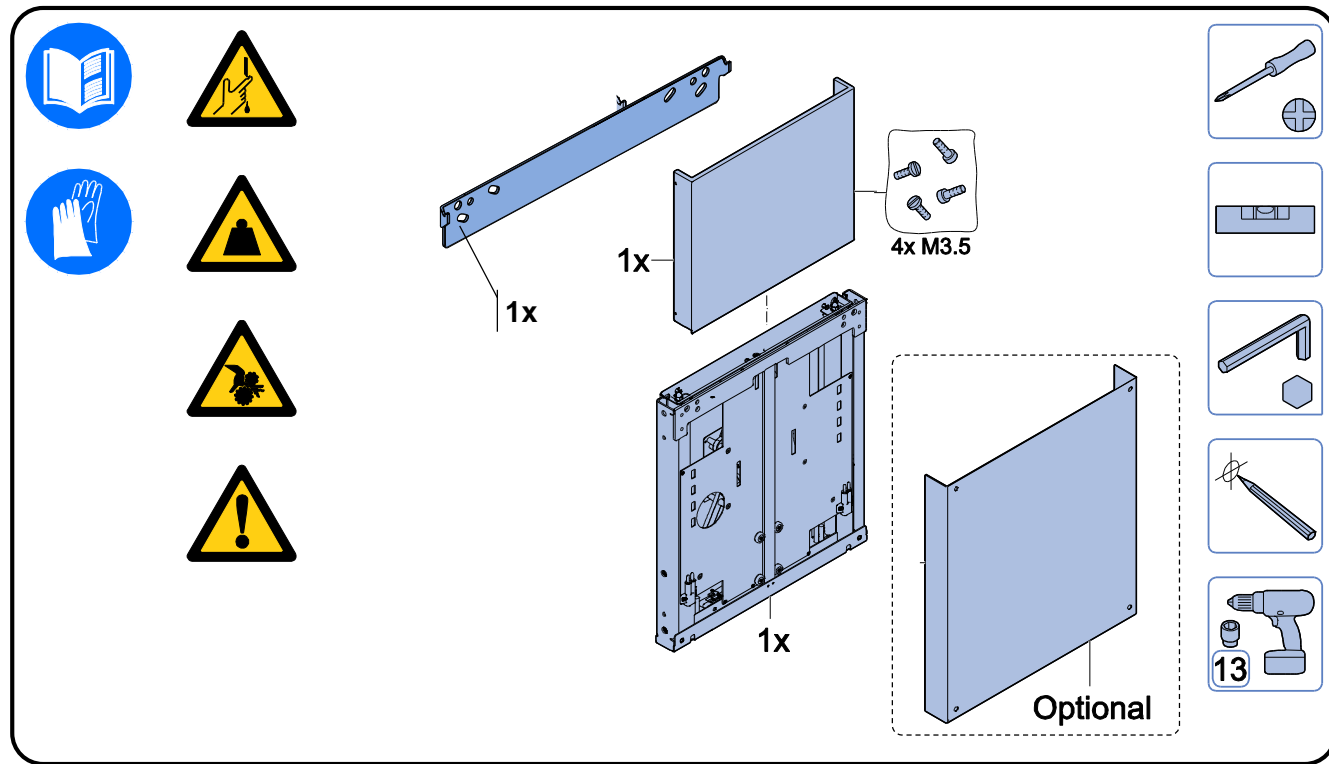
USE LIFTBOX VESA BRACKET
ACCESSORIE



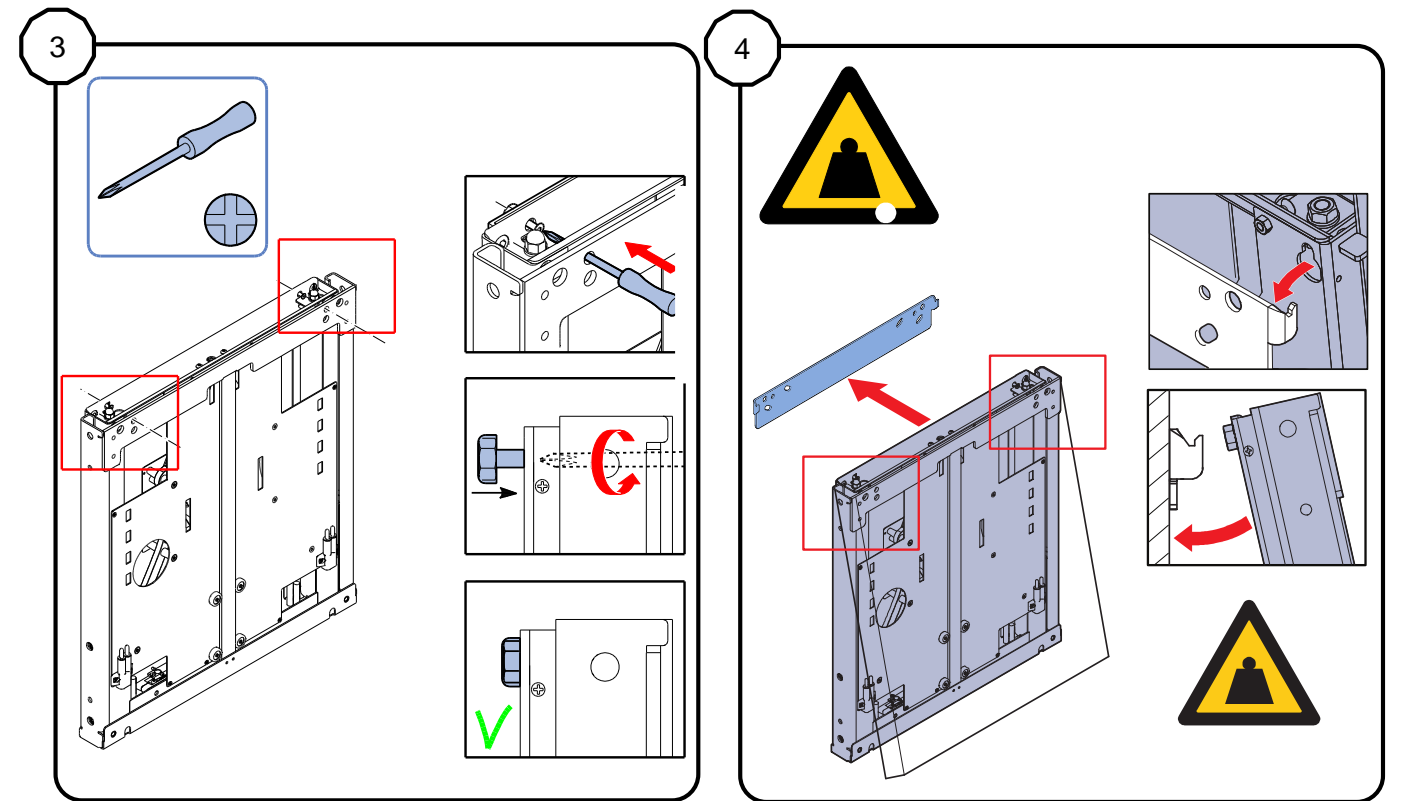
SET BALANCE, USE DRILL DRIVER LEFT/RIGHT
5 SEC COUNTER CLOCKWISE UNTIL BALANCED



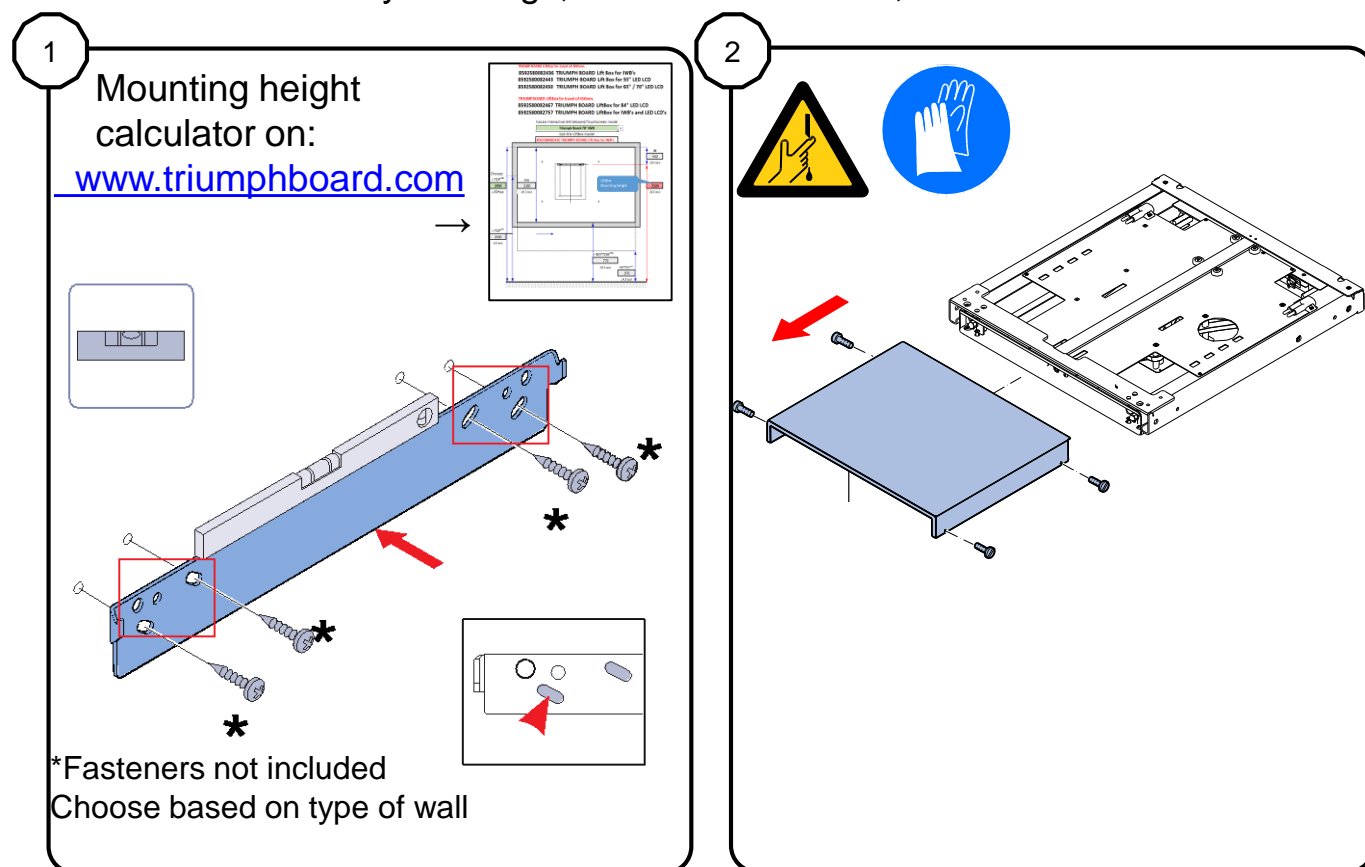
LiftBox® for 65" / 70" LED LCD



Safety warnings, contents of the box, tools needed

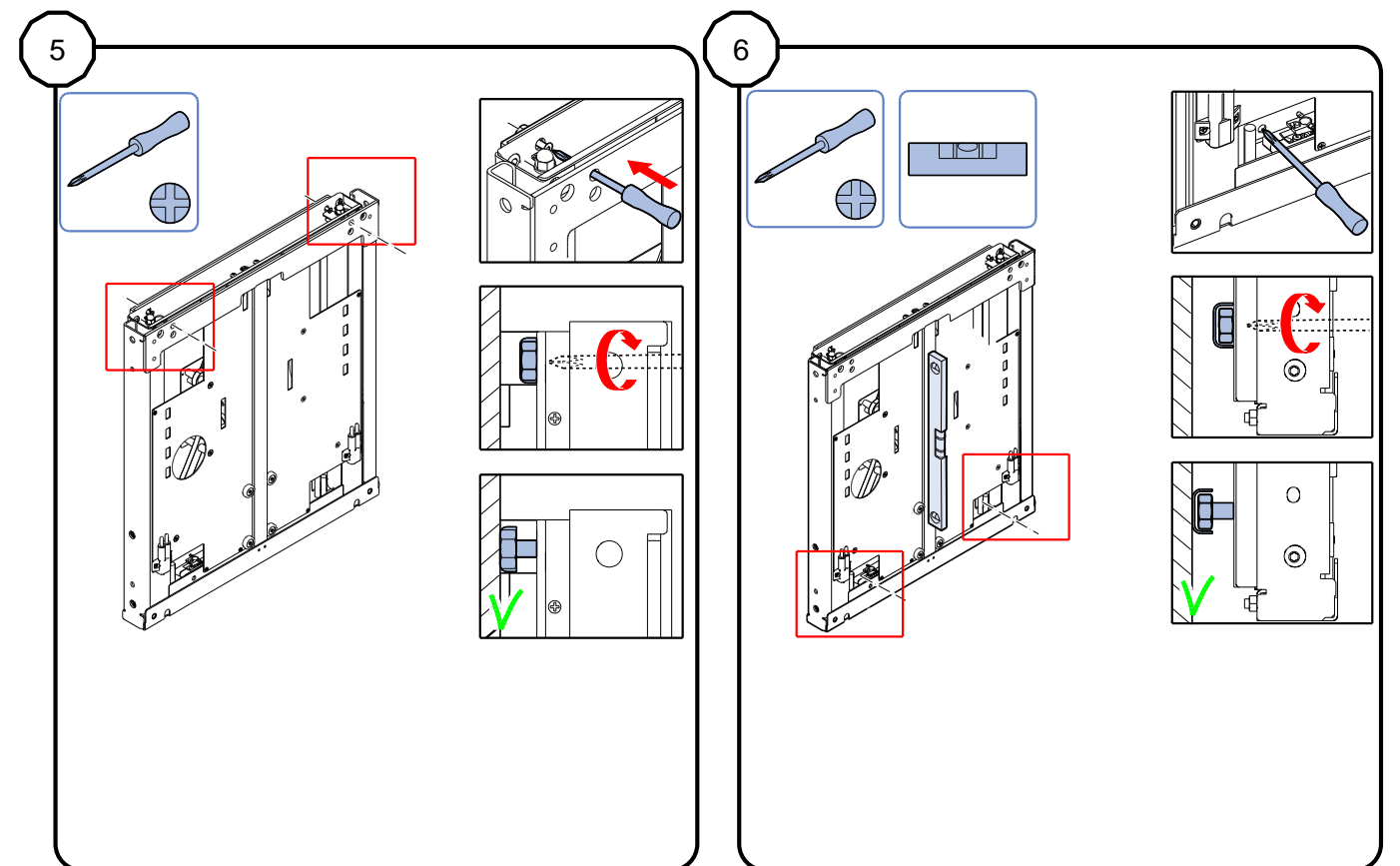


MAKE SURE SCREWS ARE UNLOCKED LIFT LIFTBOX ONTO THE BRACKET



1 MOUNT WALL BRACKET LEVEL TO THE WALL

2 REMOVE COVER FROM LIFTBOX



5 LOCK LIFTBOX WITH LOCK SCREWS

6 LEVEL VERTICALLY WITH FEET AT THE BOTTOM

