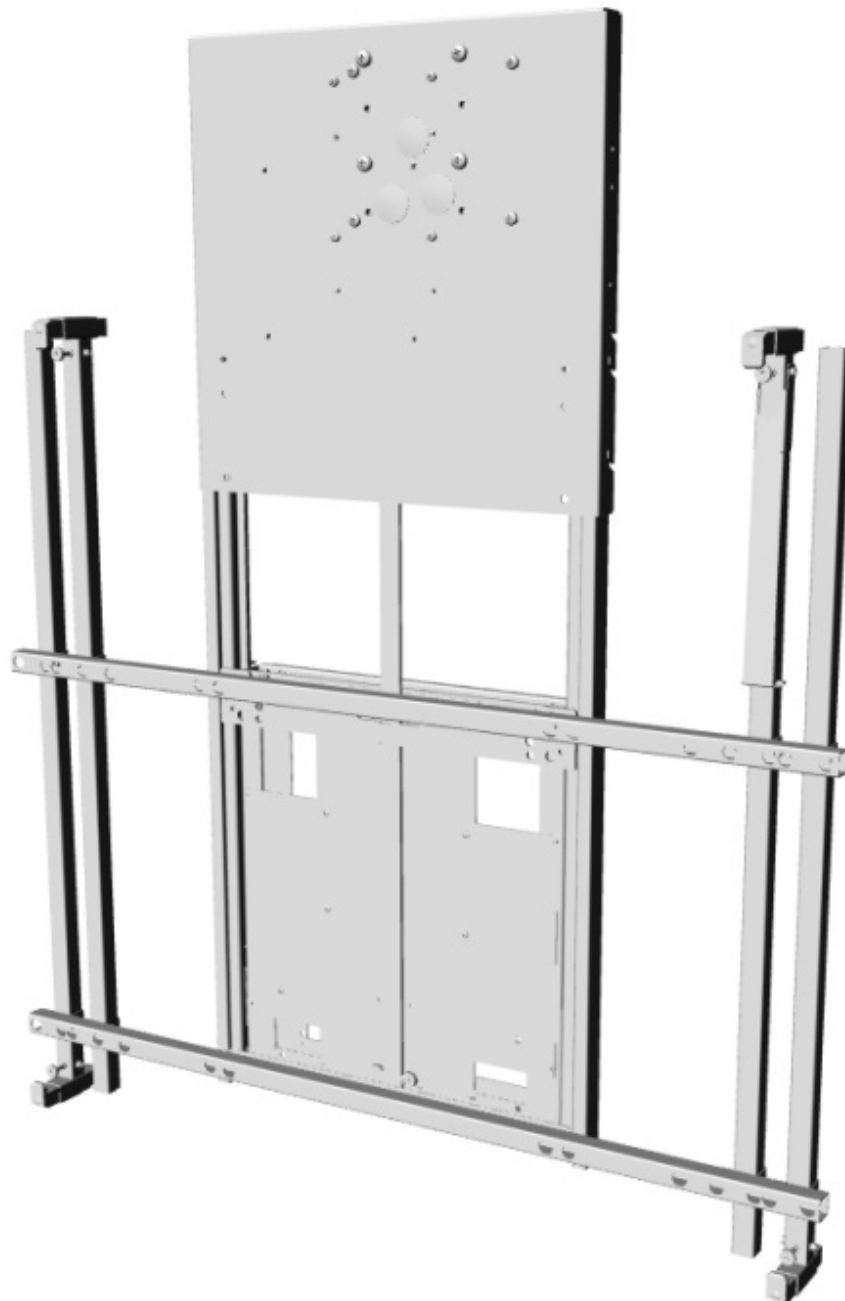






Universal Connection Frame for LiftBox for IWB's Installation Manual

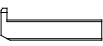









A: 4X 

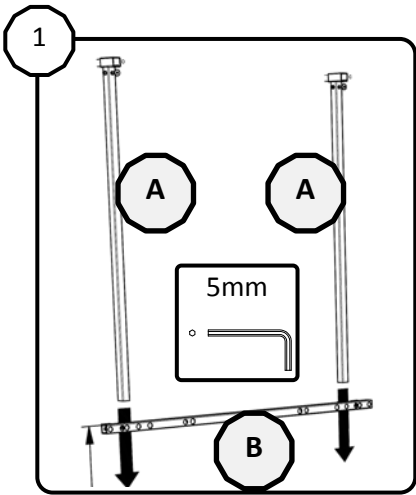
B: 2X 

C: 2X 

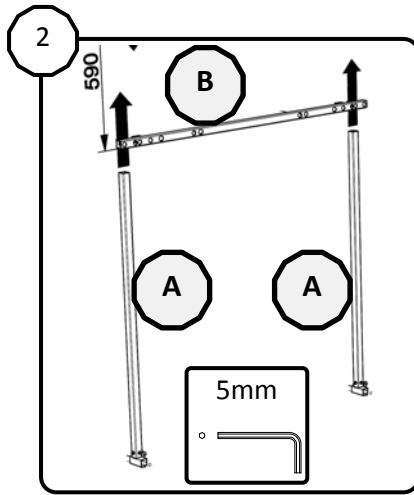
D: 1X 

E: 4X 

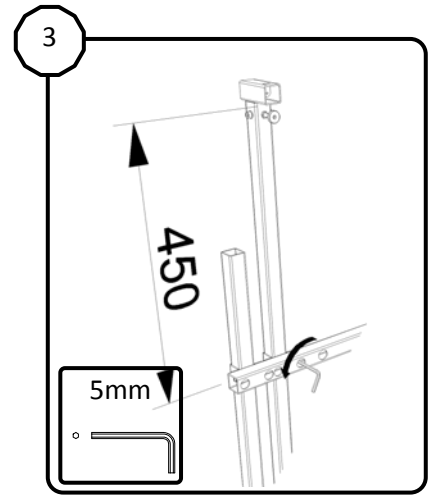
 		 	 
F / G: 4X	H: 4X	I / J: 4X	K / L: 4X



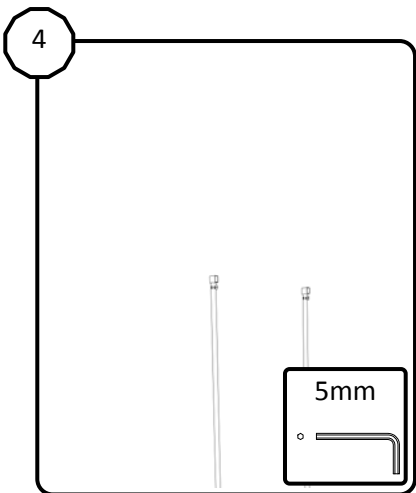
ASSEMBLE



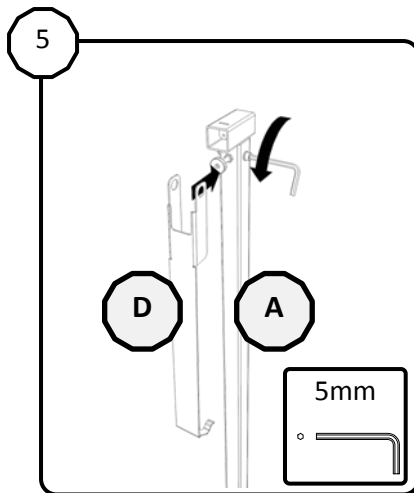
ASSEMBLE



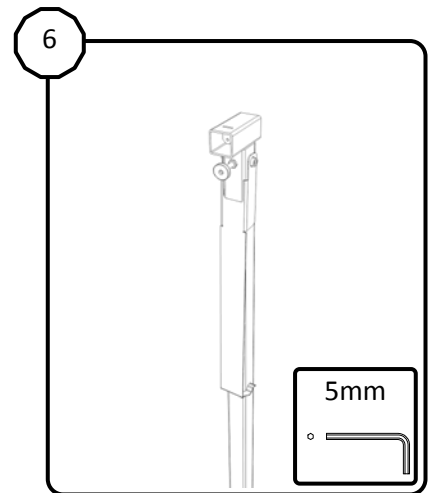
SET AT 450 mm (2X)



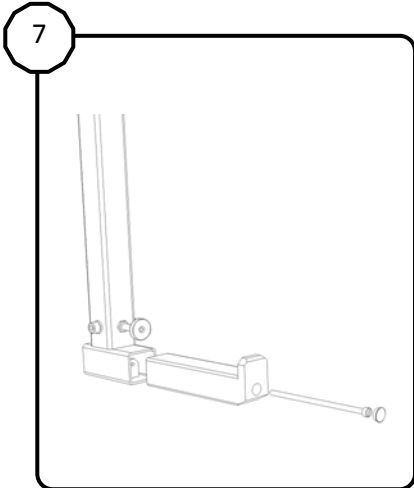
SET 590 mm(L/R)



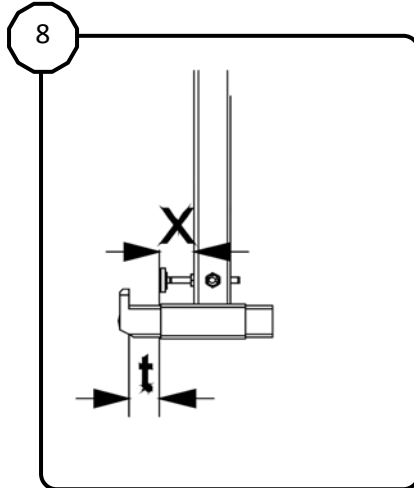
UNDO M6 BOLT



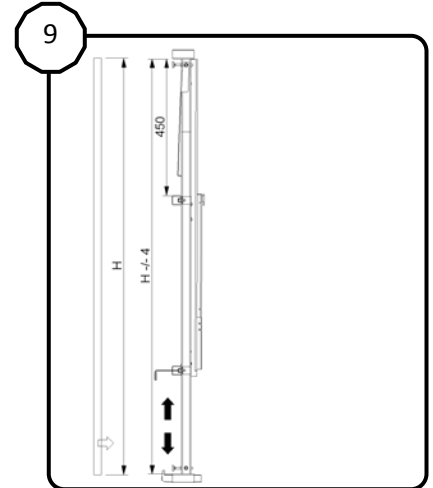
MOUNT AND REDO M6 BOLT



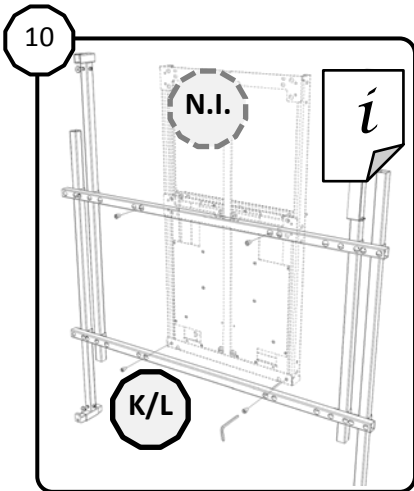
2 x BOTTOM ONLY



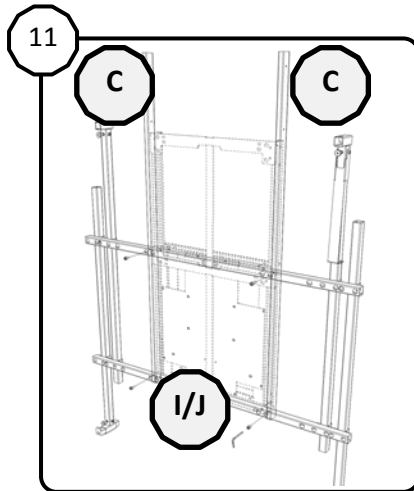
IF $t > 39$: X=30
IF $t < 39$: X=55



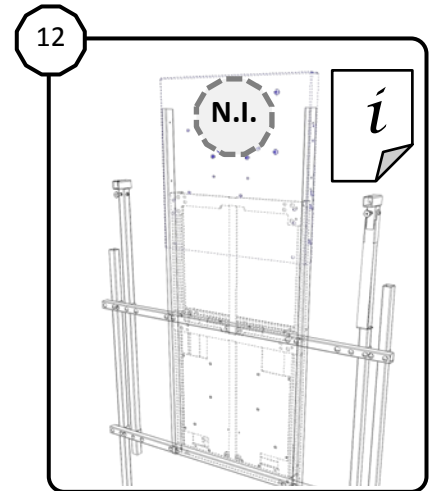
MEASURE HI AND SET: HI \pm 4mm



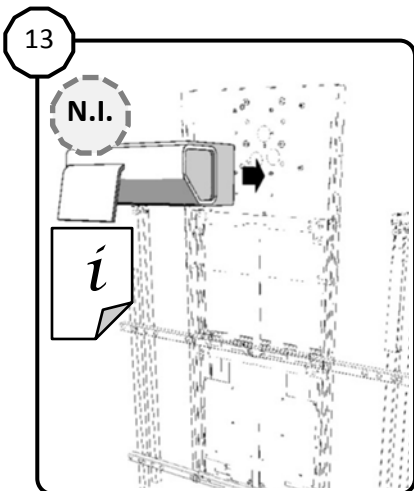
MOUNT TO LIFTBOX



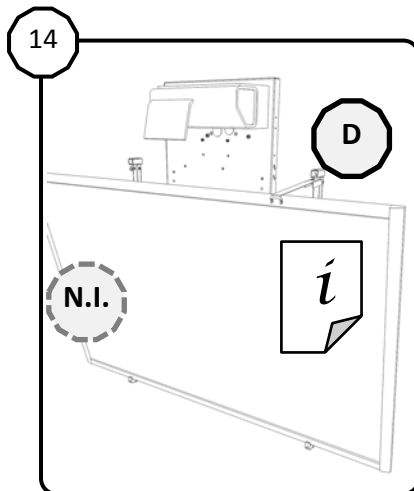
MOUNT C-TUBES



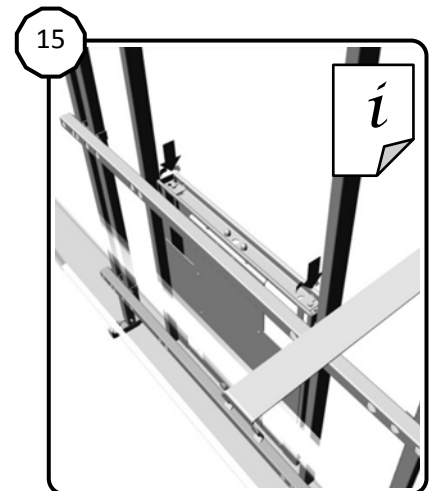
MOUNT PROJECTOR PLATE



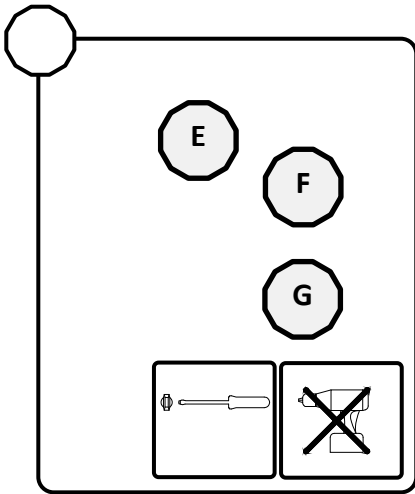
MOUNT PROJECTOR



MOUNT TRIUMPH BOARD WHITEBOARD IN
SERVICE POSITION
USE SERVICE HOOK (D)



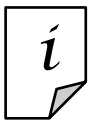
SET BALANCE ON
LiftBox
READ LiftBox INSTALLATION MANUAL



: NOT INCLUDED

t : Thickness of Whiteboard

HI : Height of Whiteboard



: Refer to other Installation instructions