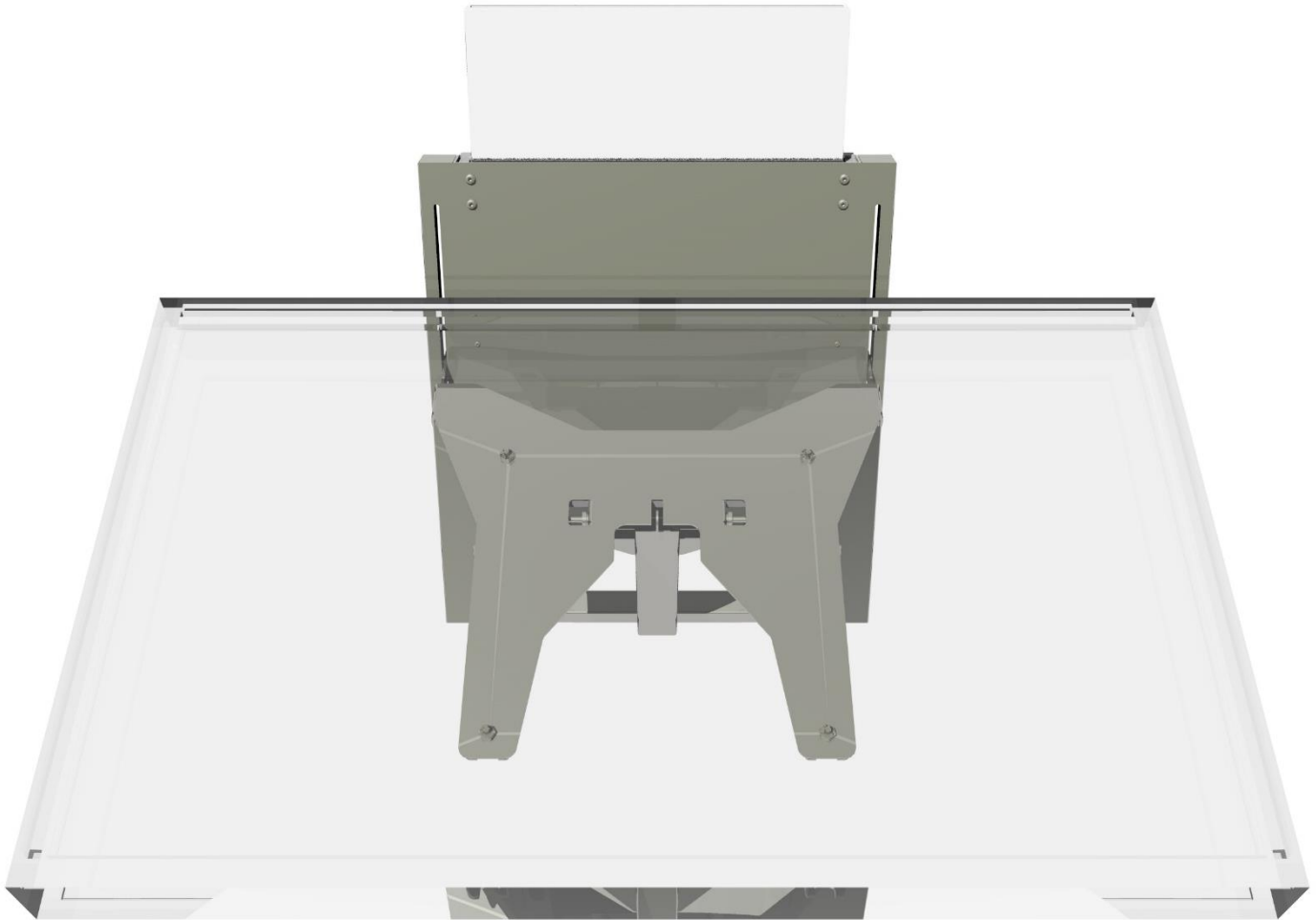
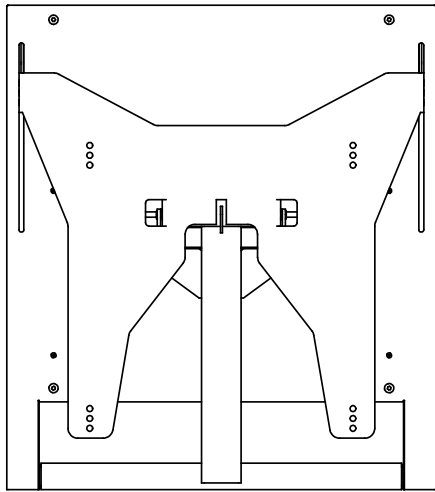


Tilt Frame for LiftBox for 55" LED LCD Installation Manual





A
1X



B
2X



C
4X



D
4X



E
4X



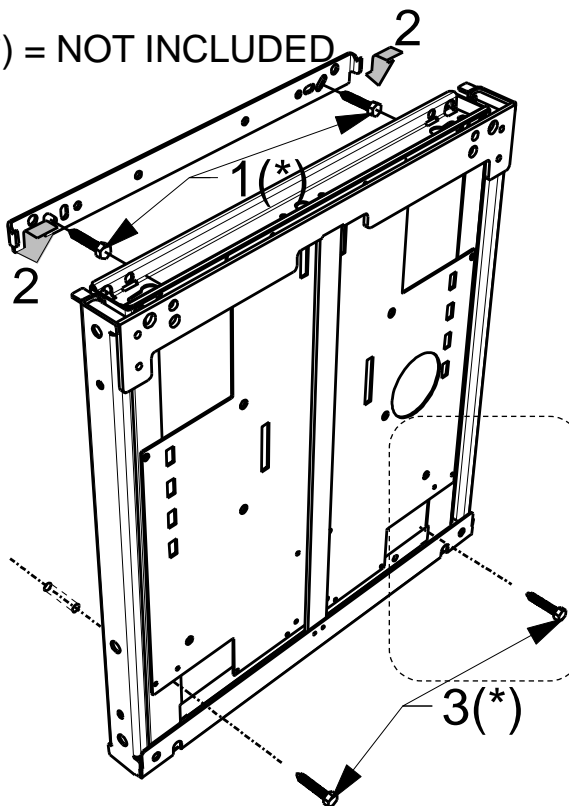
F
4X



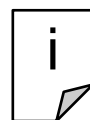
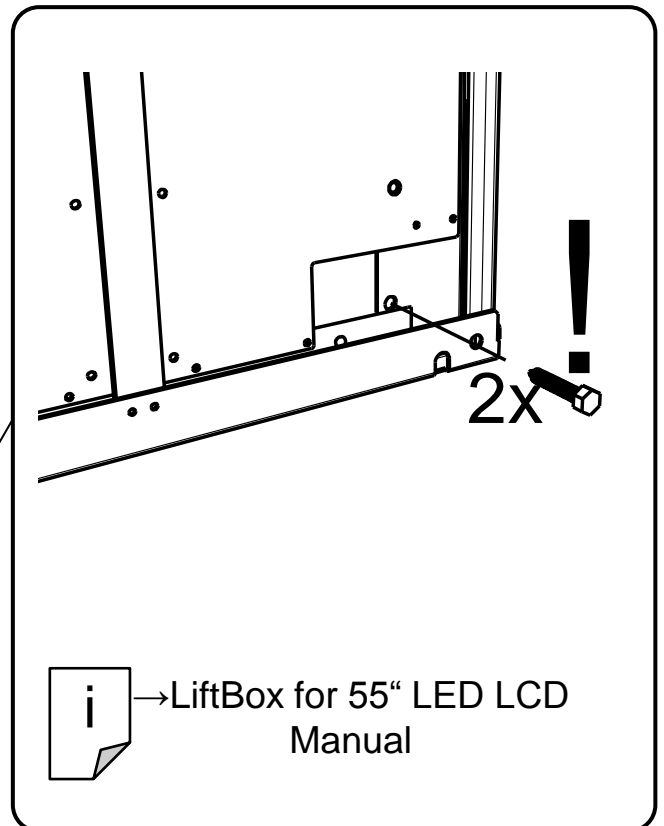
G
4X

CONTENTS

(*) = NOT INCLUDED

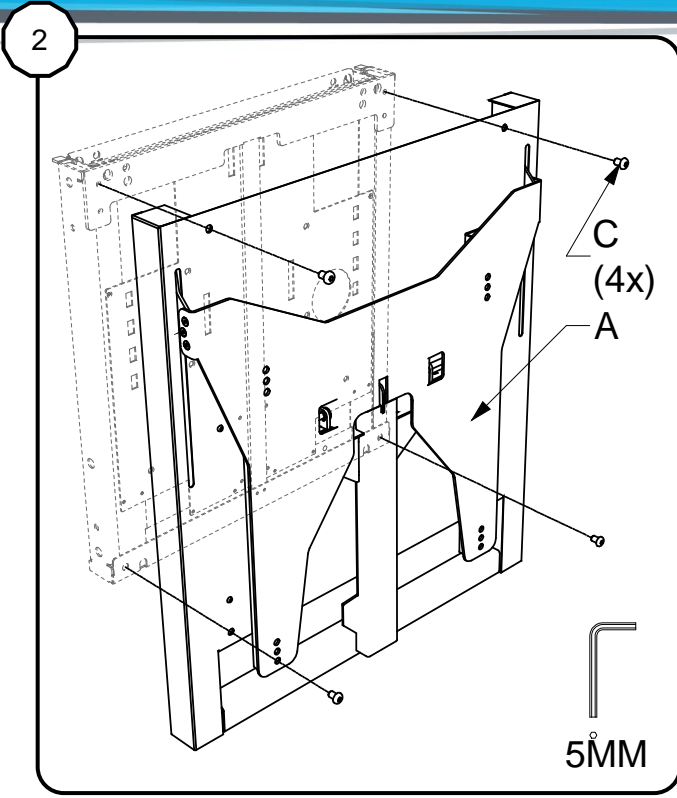


MOUNT LiftBox

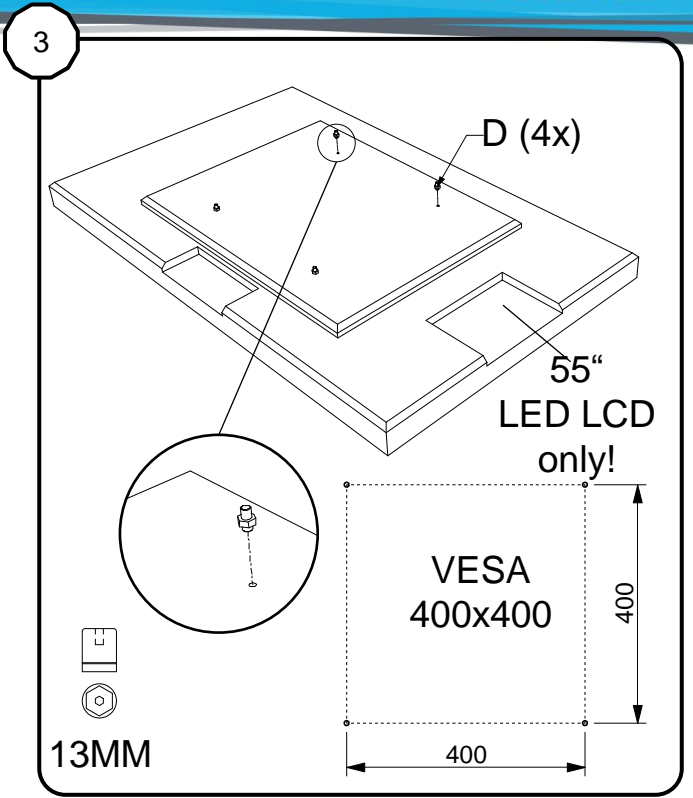


→LiftBox for 55" LED LCD
Manual

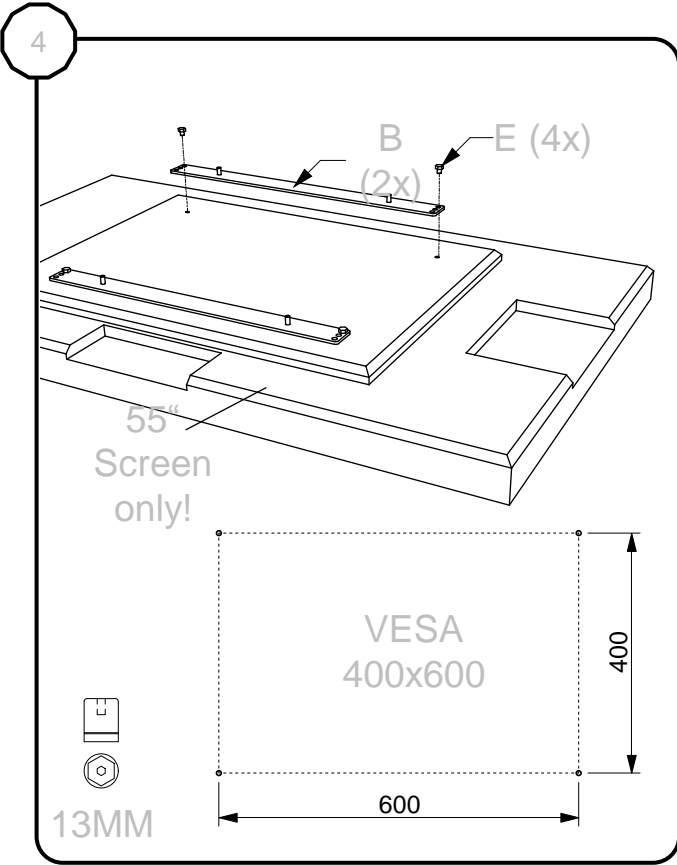
FIX LiftBox AT BOTTOM!



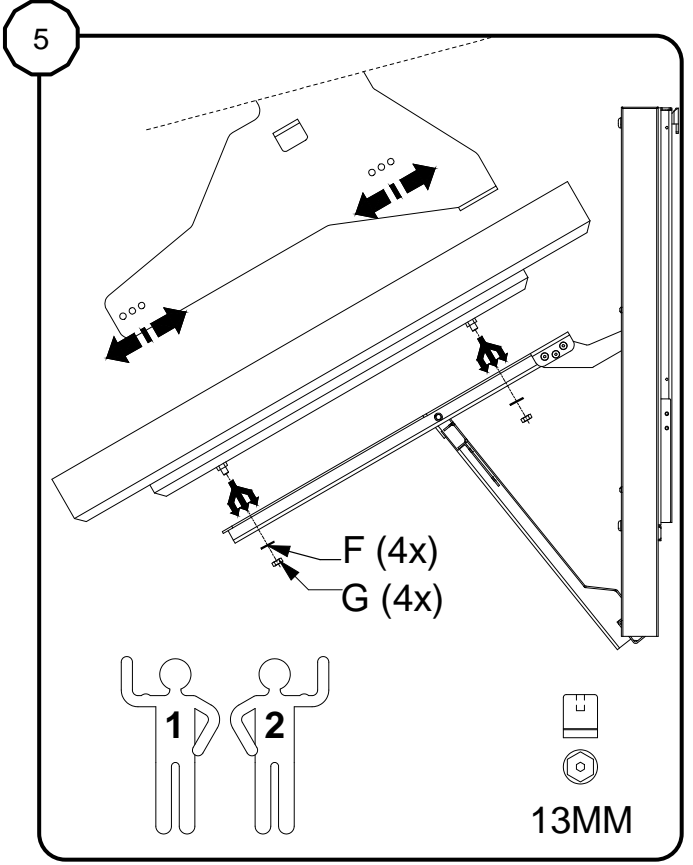
MOUNT TILT FRAME



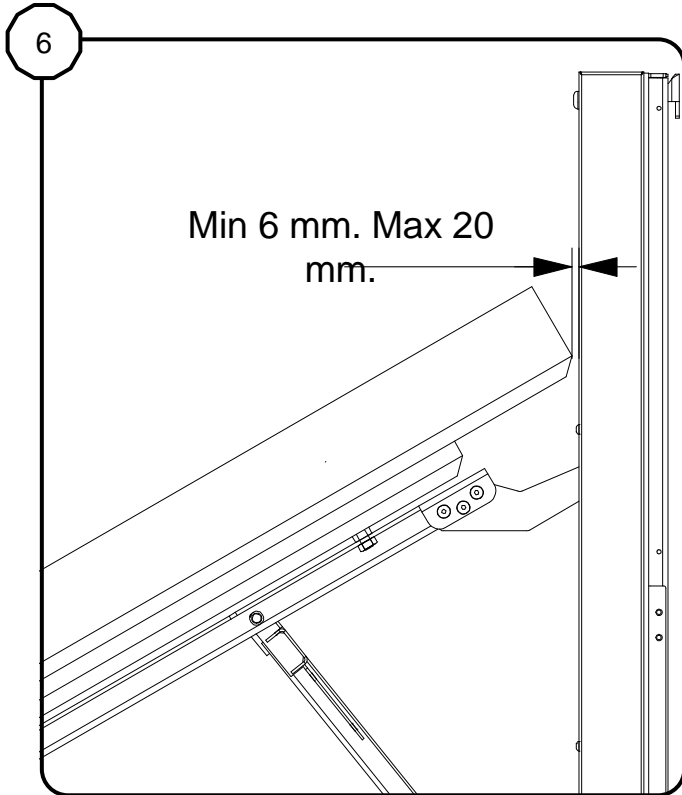
PREPARE LED LCD 55"-VESA 400X400



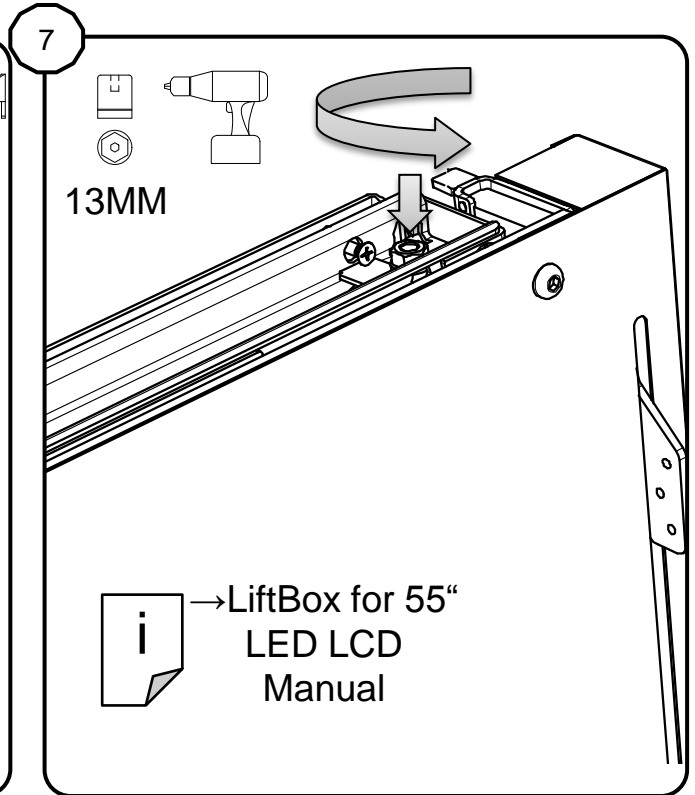
PREPARE SCREEN WITH VESA 400X600



OPEN TILT FRAME AND POSITION LED LCD ON TILTFRAME



POSITION LED LCD



SET BALANCE ON LiftBox for 55" LED LCD BOTH SIDES