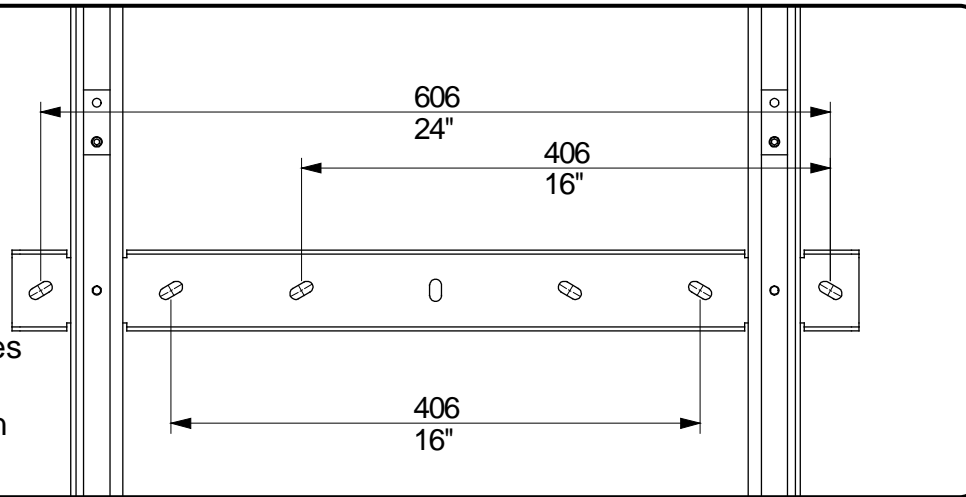


Floor Support for LiftBox for IWB's and LED LCD's

Important:

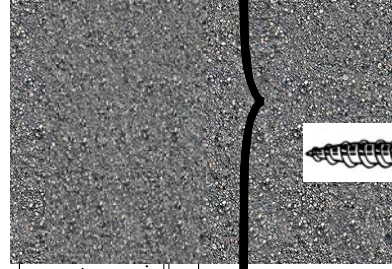
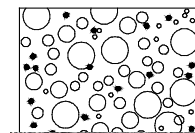
When mounting on
studded plastered
drywalls
always mount to the
studs in the wall.

(common stud
distances
shown in the sketch)
Use minimum 2 fixation
points per bracket.



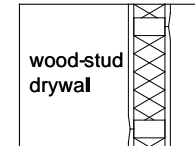
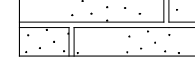
WALL TYPE

ADVISED MOUNTING HARDWARE



Fischer UX 10 mm
Wurth Master 10 mm

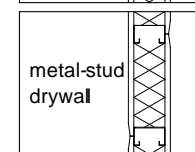
DIN 571 8 x 70 mm
diam. 5/16" x 3"



wood-stud
drywal



DIN 571 8 x 70 mm
diam. 5/16" x 3"

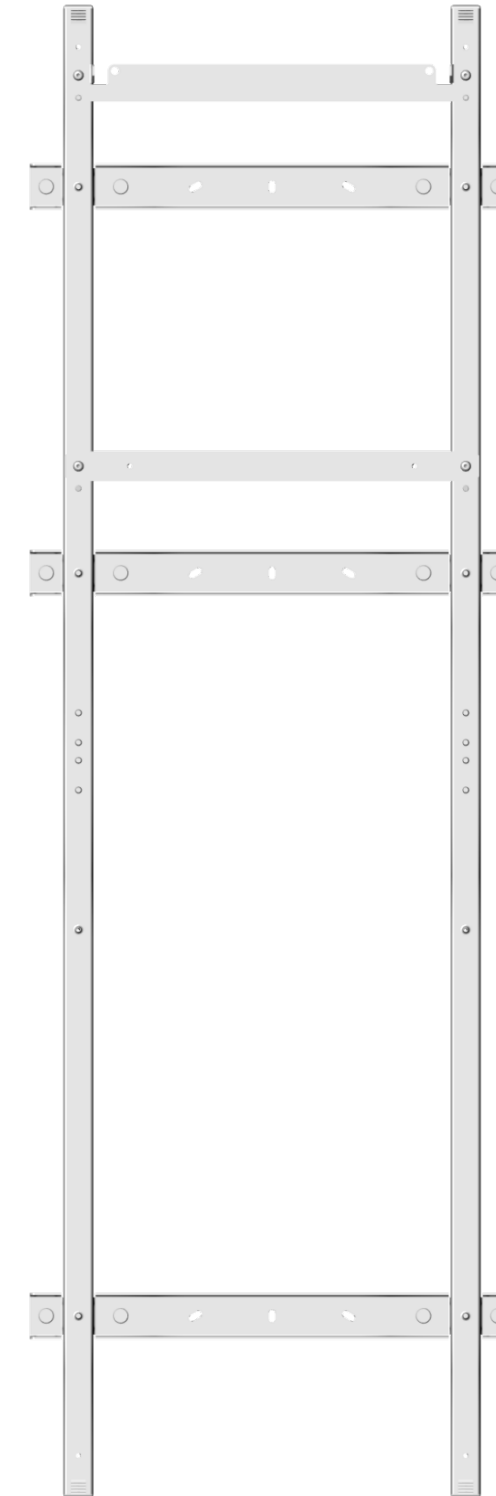


metal-stud
drywal

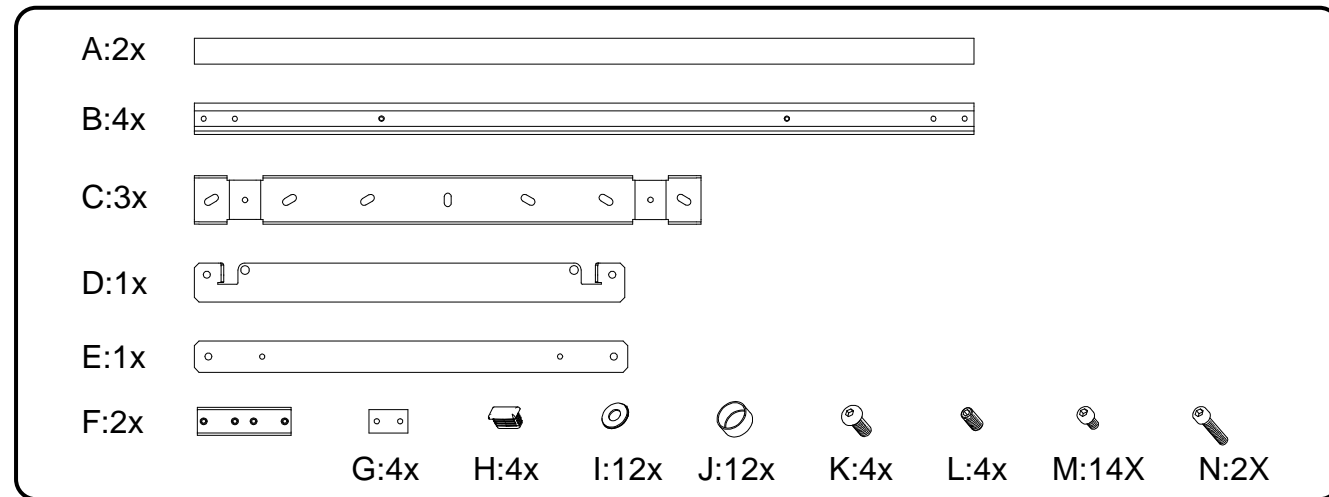


Toggler Snaptoggle BE
diam. M8 or 5/16" -18

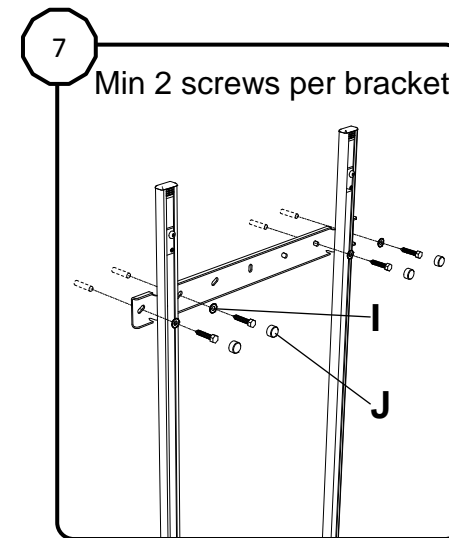
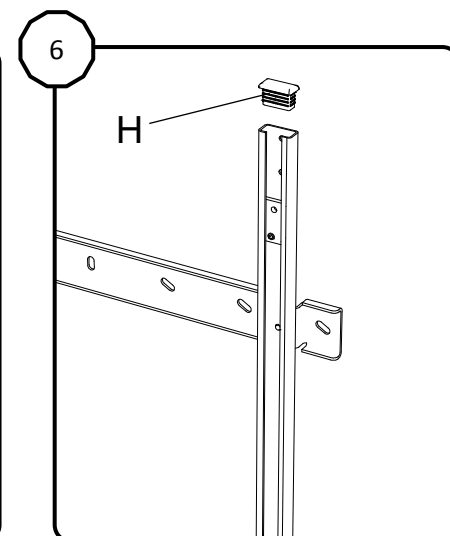
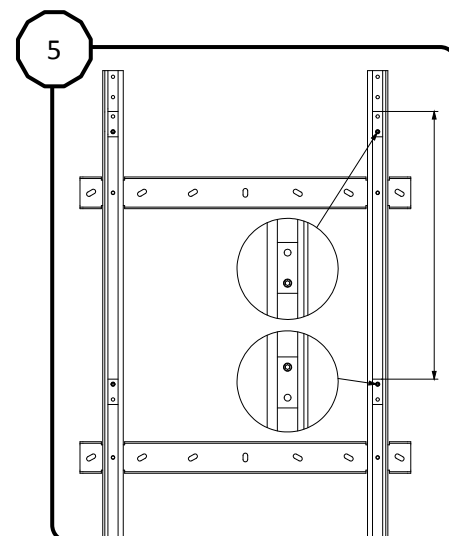
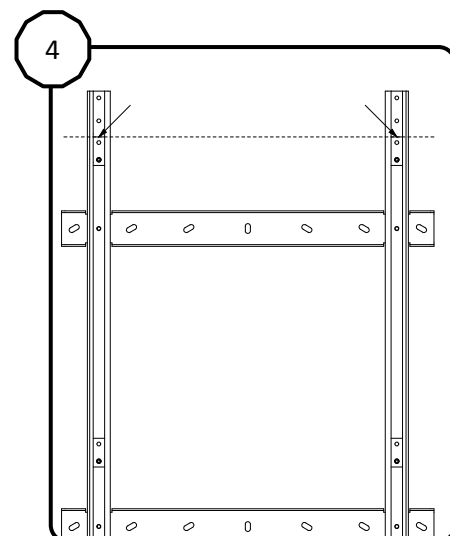
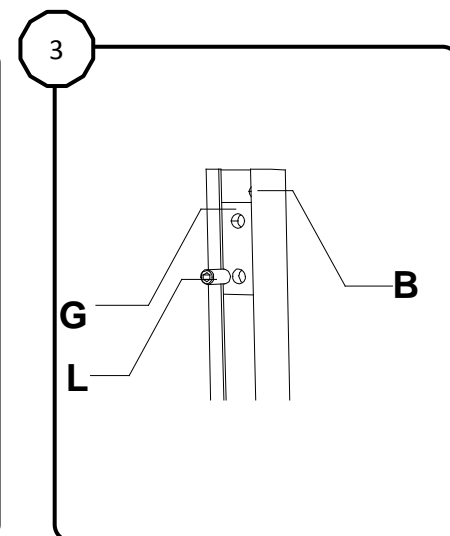
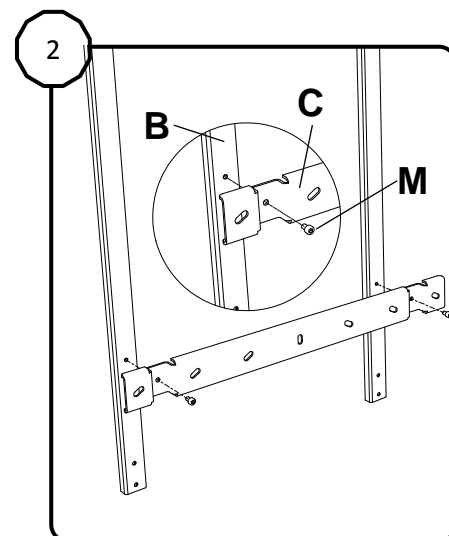
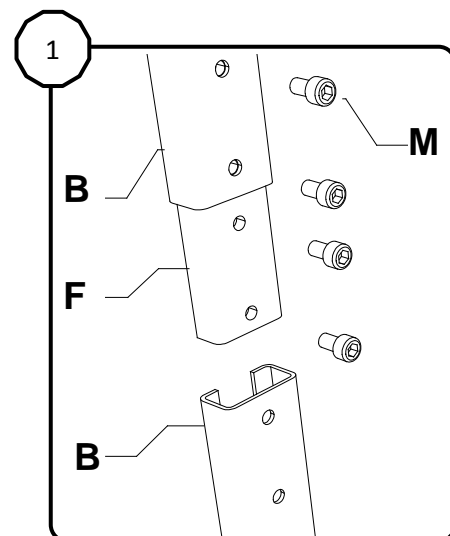
Floor Support for LiftBox for IWB's and LED LCD's Installation manual



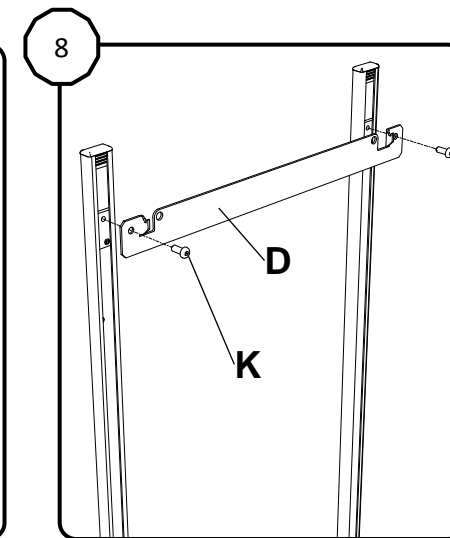
Floor Support for LiftBox for IWB's and LED LCD's



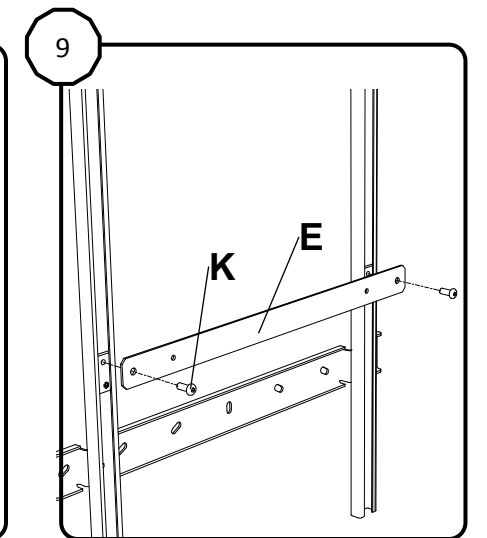
Contents of the box



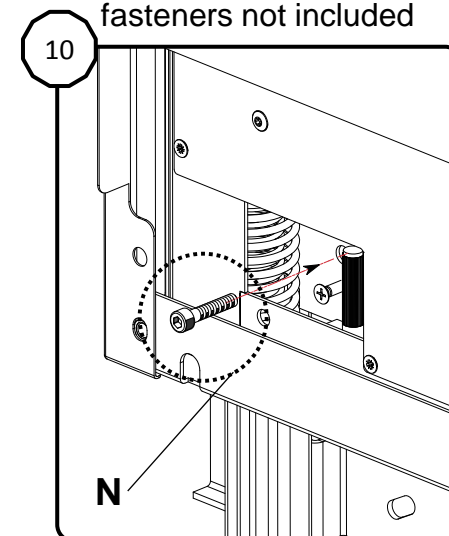
Fix 3 brackets to the wall fasteners not included



Fix TOP bracket (●5mm)



Fix bottom bracket (●5mm)

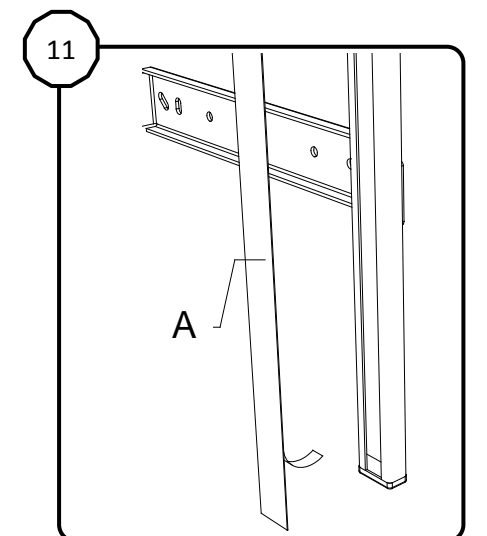


Hang LiftBox (*) and fix at bottom, use screw N (● 5 mm)

NOTE: careful not to damage grey plastic dampener!



* Please refer to LiftBox® user manual!



Mount cover strips with double sided tape