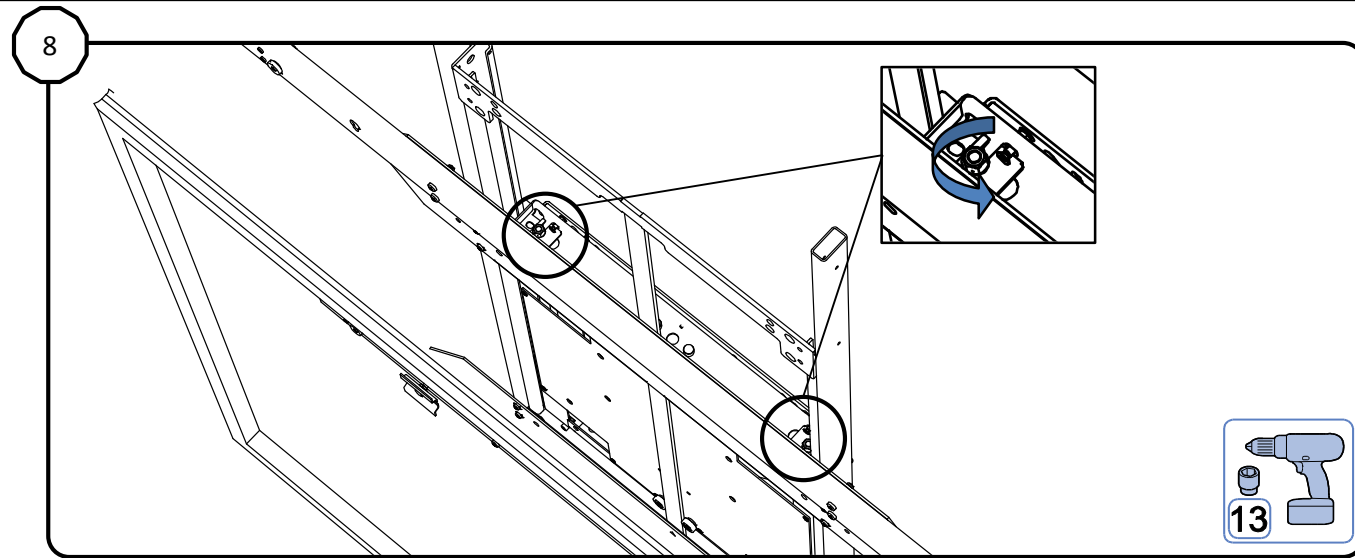
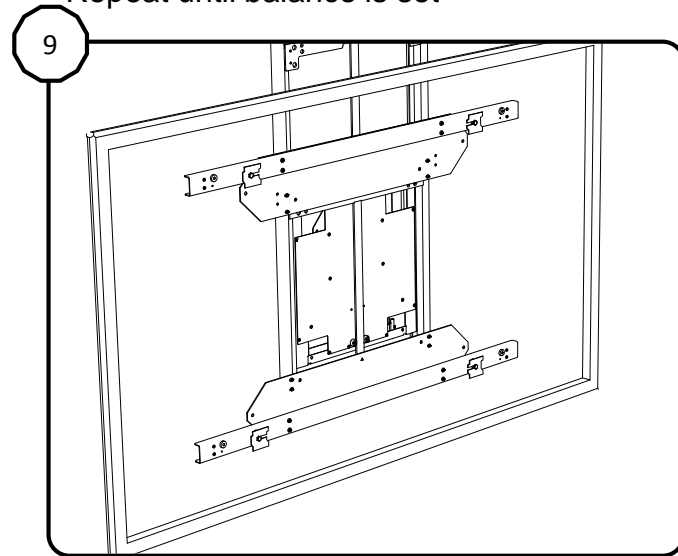


Connection Frame for LiftBox for IWB's

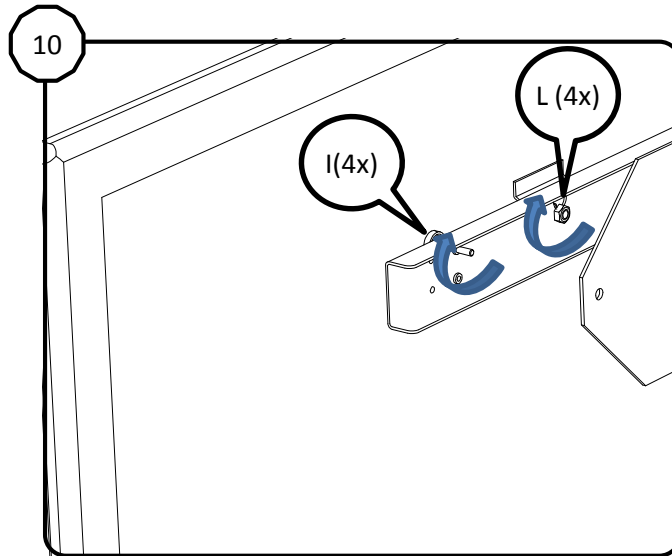
Connection Frame for LiftBox for IWB's Installation manual



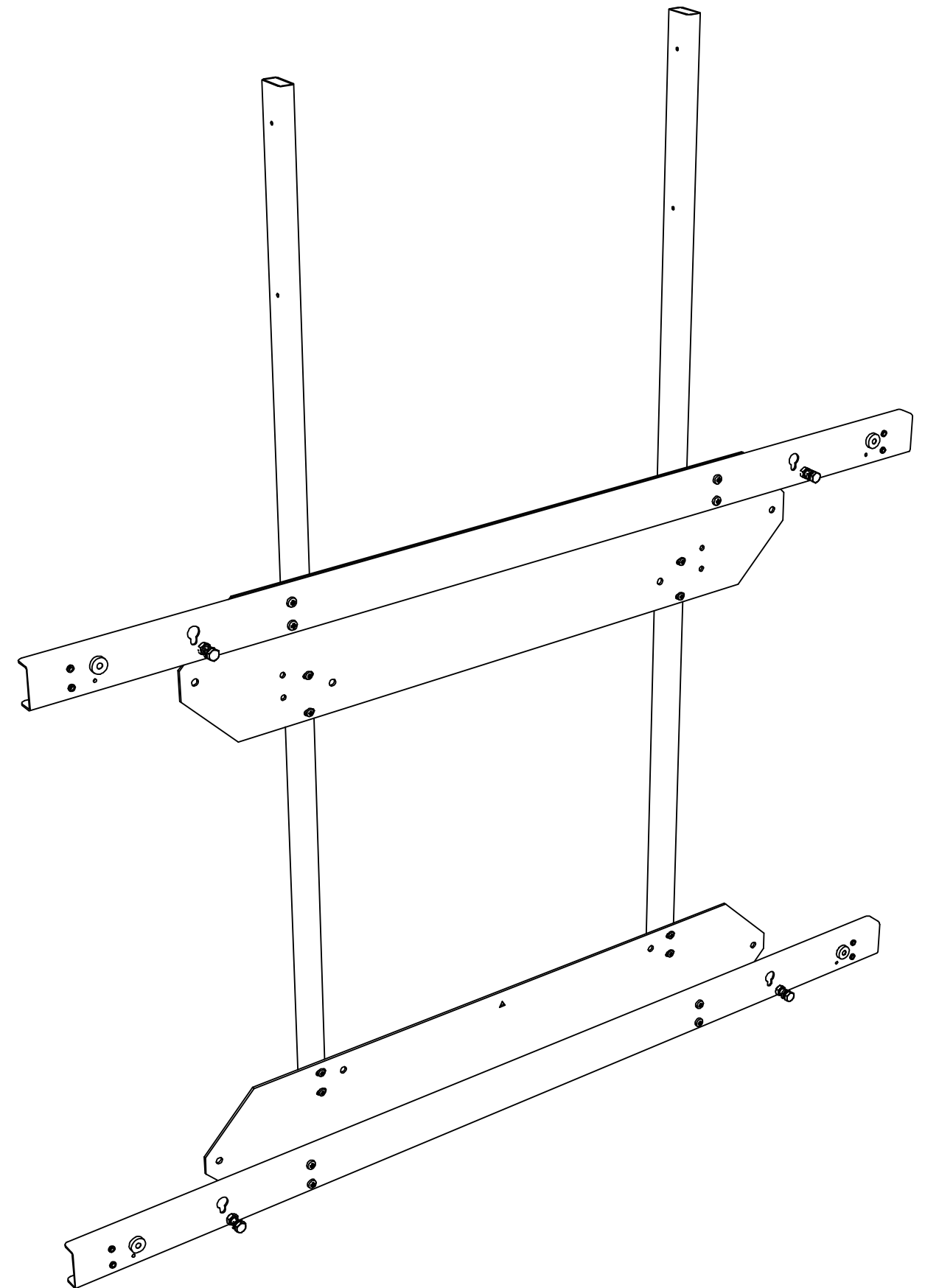
Adjust spring tension to balance total weight, turn counter-clockwise 5 seconds left/right
Repeat until balance is set



Hang Triumph Board in final position



Tighten nuts (L) from the back and adjust the feet (I) to support the board



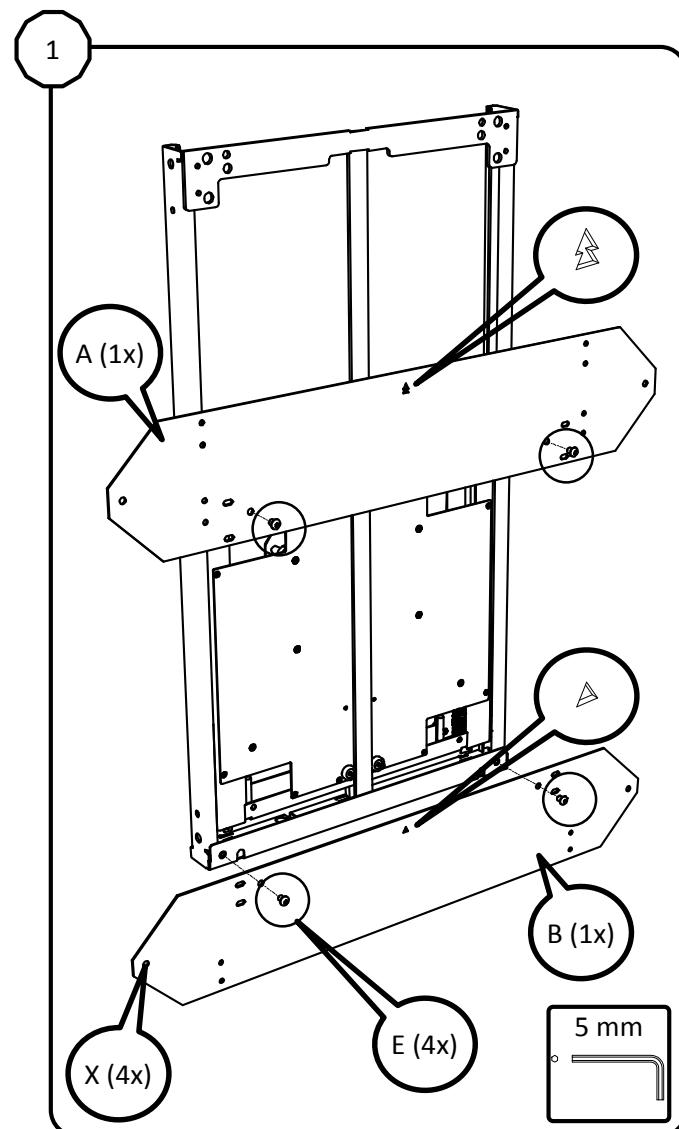
Connection Frame for LiftBox for IWB's

A:1x
B:1x
C:2x
D:2x

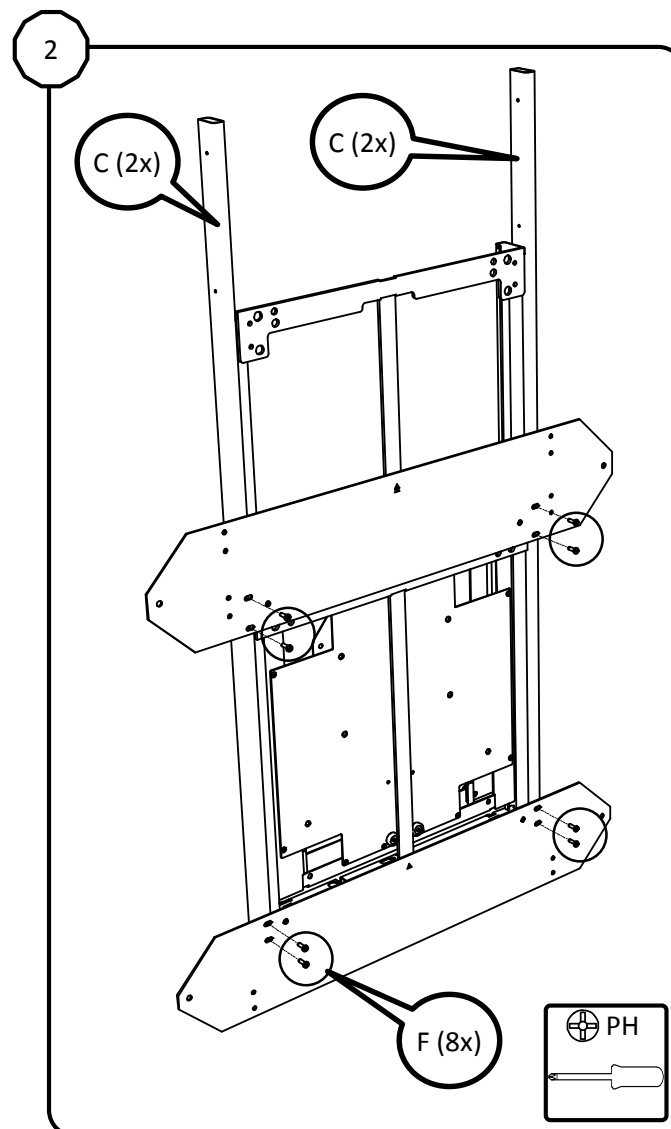
E:4x F:8x G:8x H:8x I:4x J:4x K:4x L:4x

Please refer to BalanceBox® user manual!

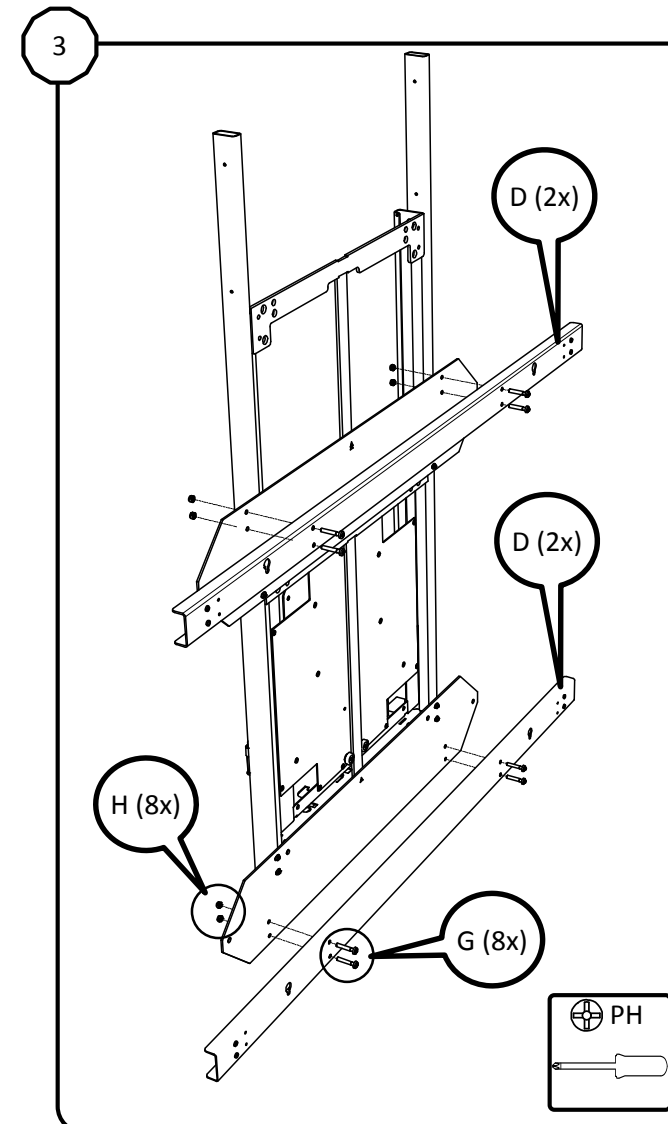
Contents of the box



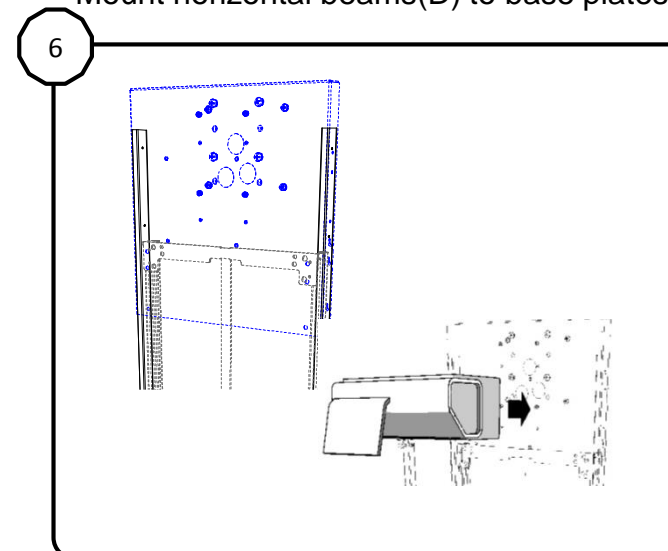
Mount top and bottom base plates to BalanceBox® (not included) (Holes X for mounting on BalanceBox 650)



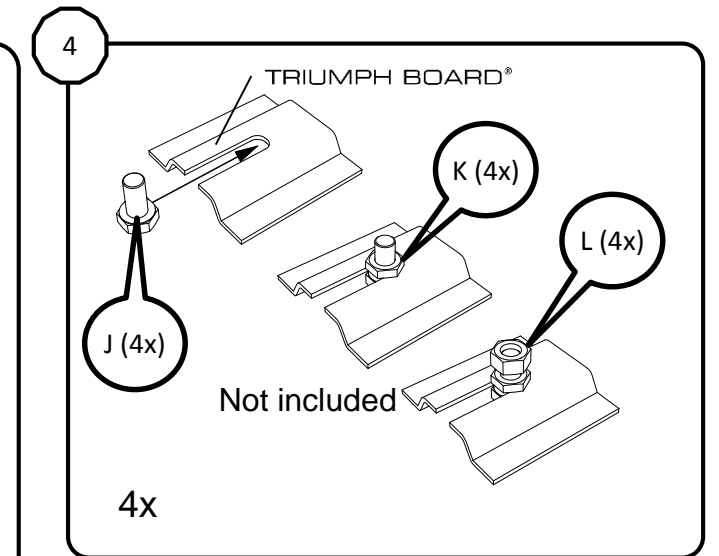
Mount tubes (C) to base plates



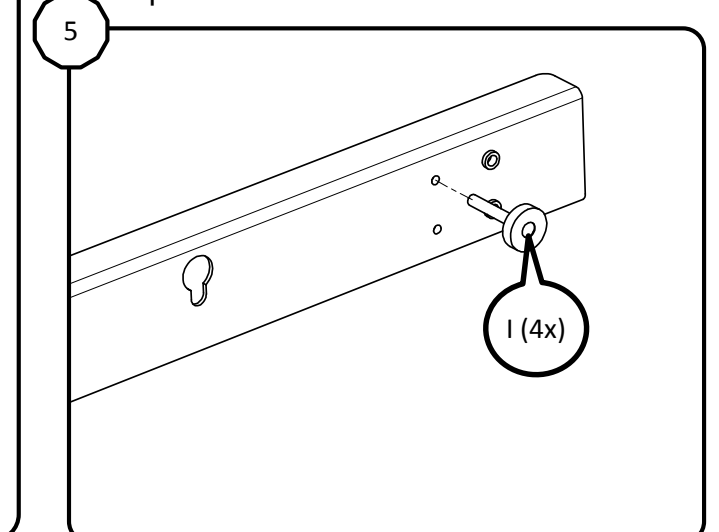
Mount horizontal beams(D) to base plates



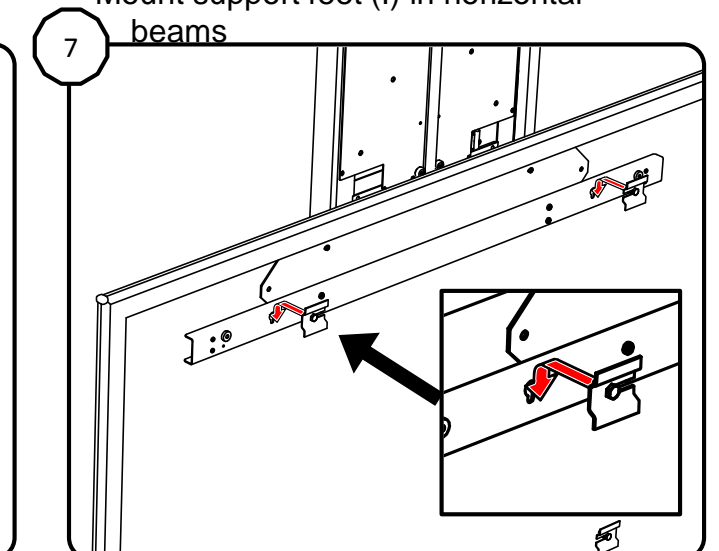
Mount projector plate and projector (not included)



Prepare brackets on whiteboard



Mount support feet (I) in horizontal beams



Hang interactive whiteboard with top on bottom mounting holes