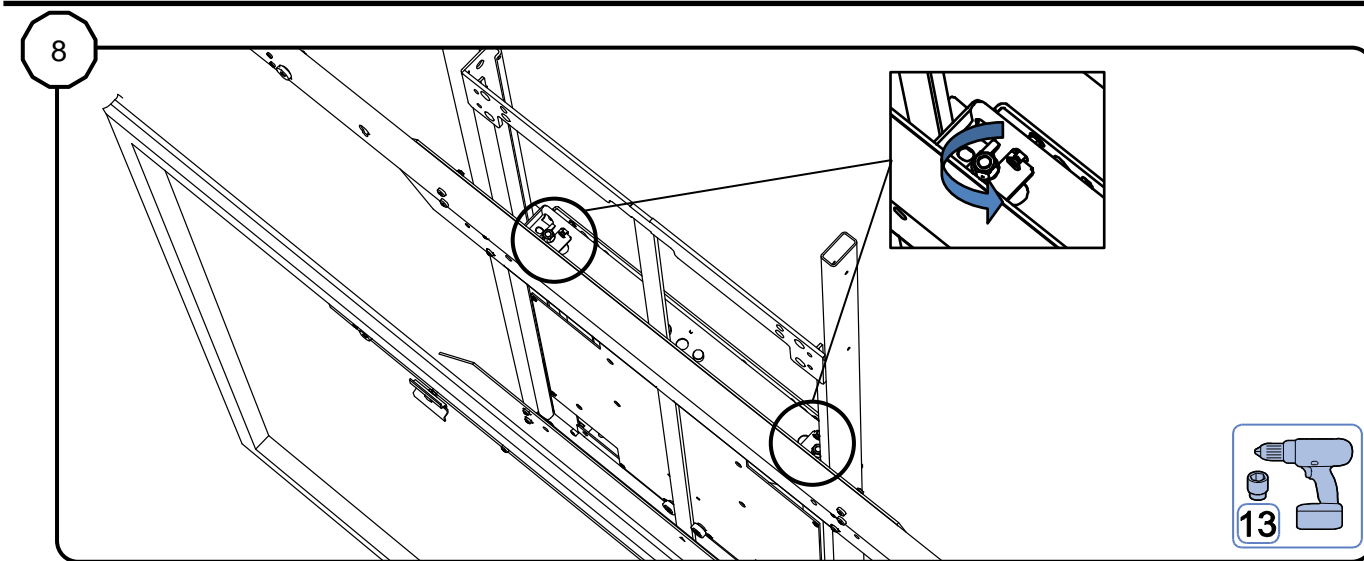
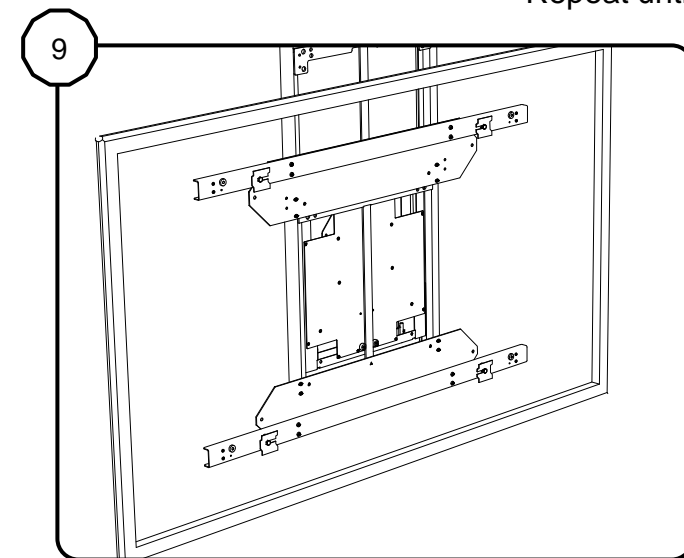


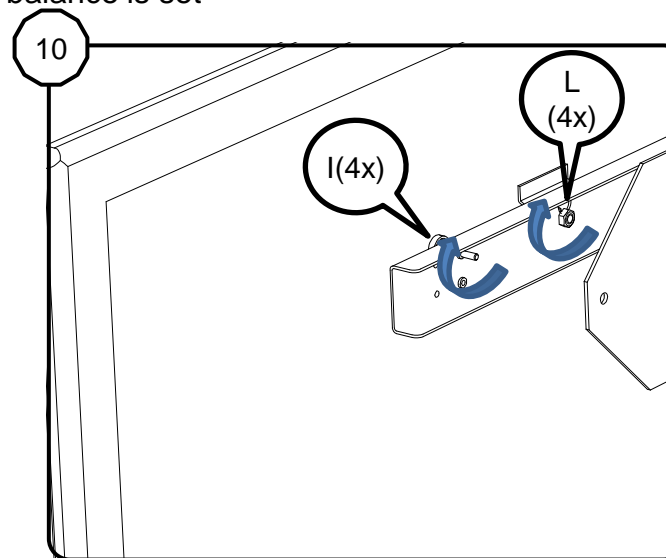
### Connection Frame for LiftBox for IWB's



Adjust spring tension to balance total weight, turn counter-clockwise 5 seconds left/right  
Repeat until balance is set

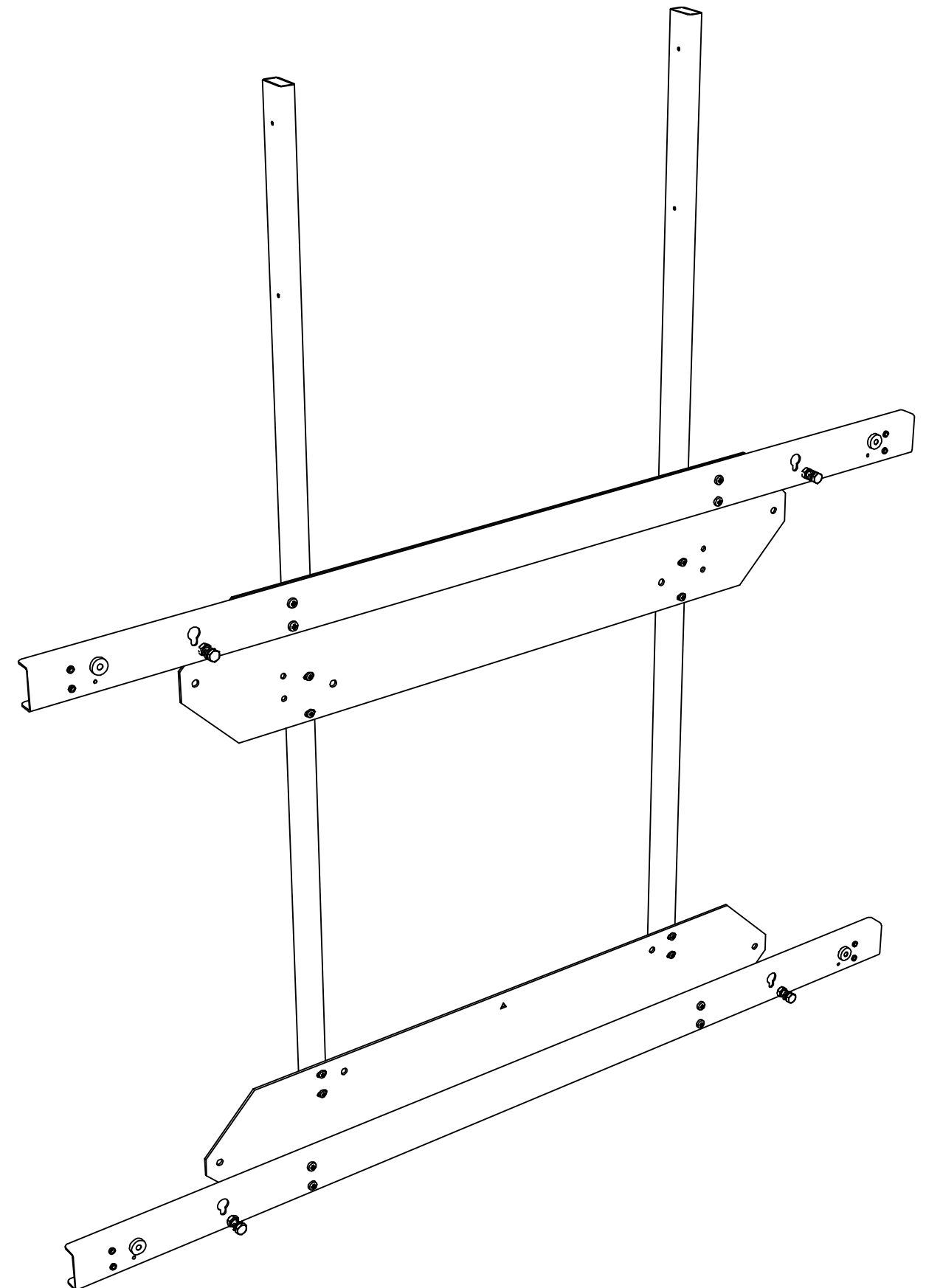


Hang TRIUMPH BOARD IWB in final position



Tighten nuts (L) from the back and adjust the feet (I) to support the board

### Connection Frame for LiftBox for IWB's Installation manual



Connection Frame for LiftBox for IWB's

A:1x  
B:1x  
C:2x  
D:2x

E:4x F:8x G:8x H:8x I:4x J:4x K:4x L:4x

Please refer to LiftBox® user manual!

Contents of the box

1

Mount top and bottom base plates to LiftBox® (not included)  
(Holes X for mounting on LiftBox 650)

2

Mount tubes (C) to base plates

3

Mount horizontal beams(D) to base plates

4

4x

Prepare brackets on whiteboard

5

Mount support feet (I) in horizontal beams

6

Mount projector plate and projector  
(not included)

7

Hang interactive whiteboard with top on bottom mounting holes