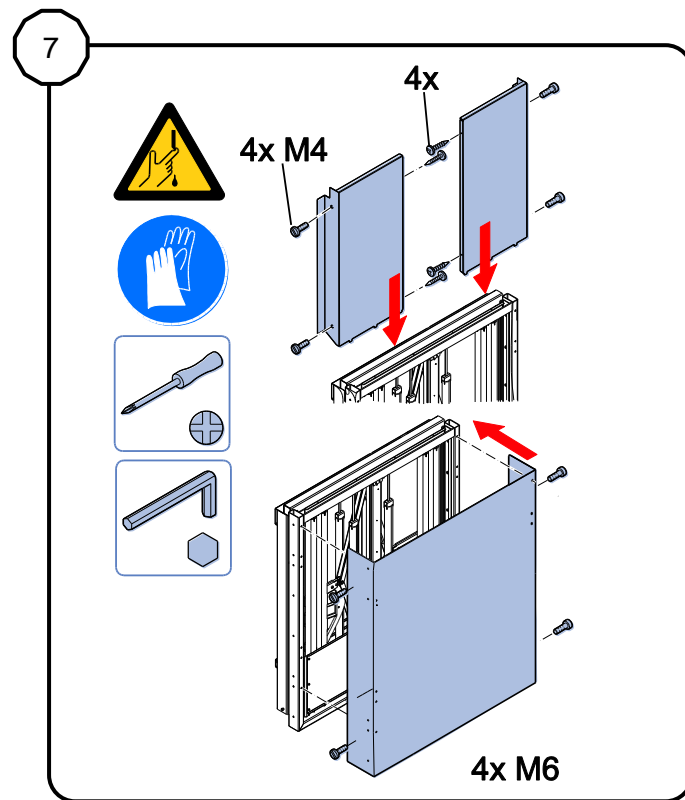


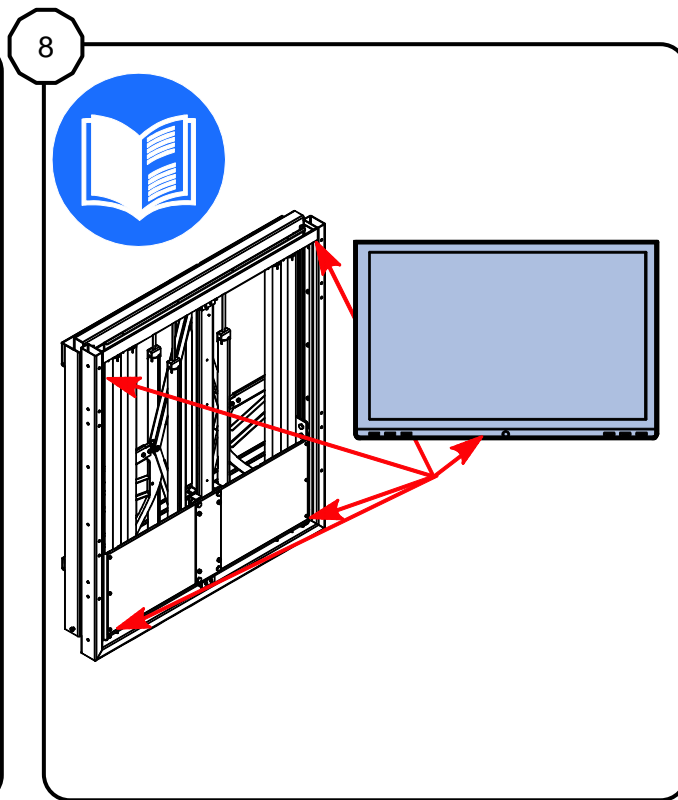
LiftBox® 650

LiftBox® 650

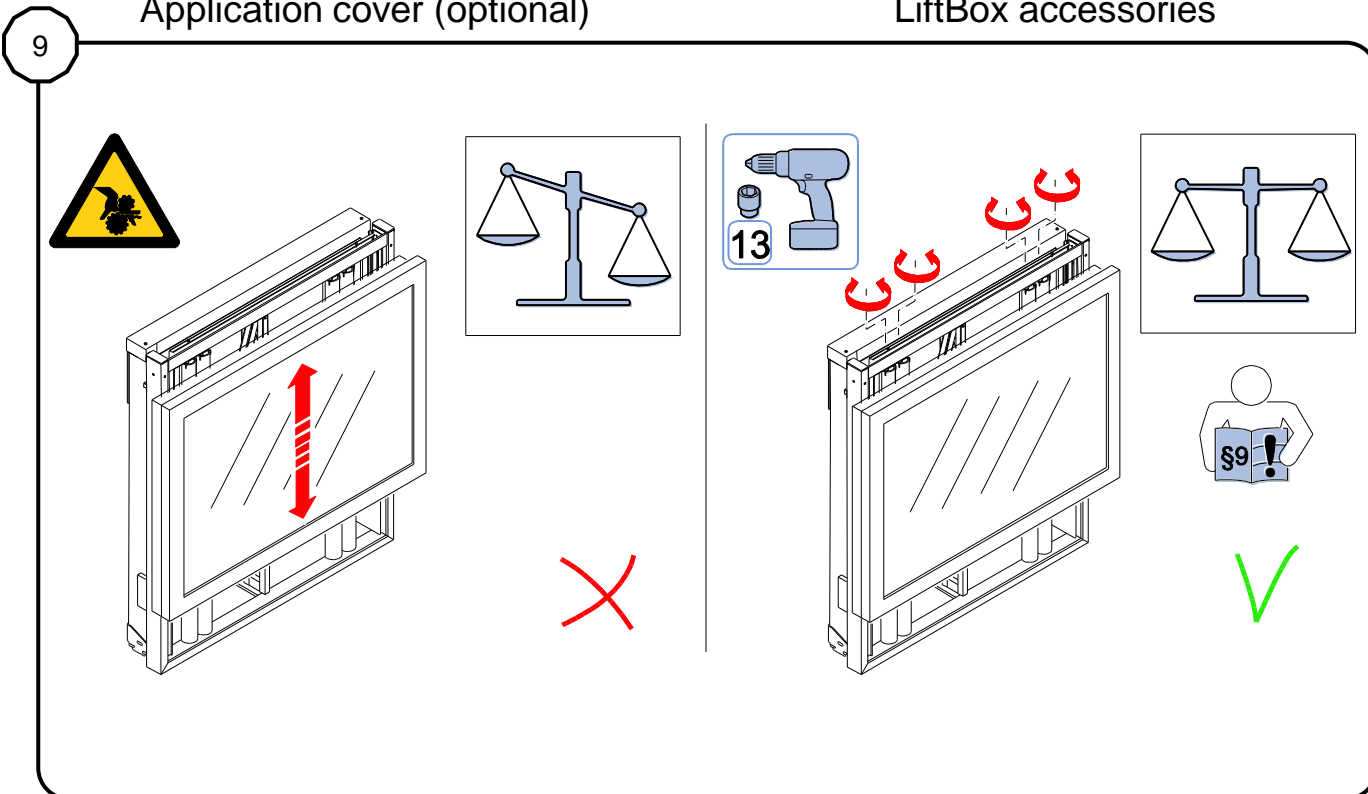
Installation manual



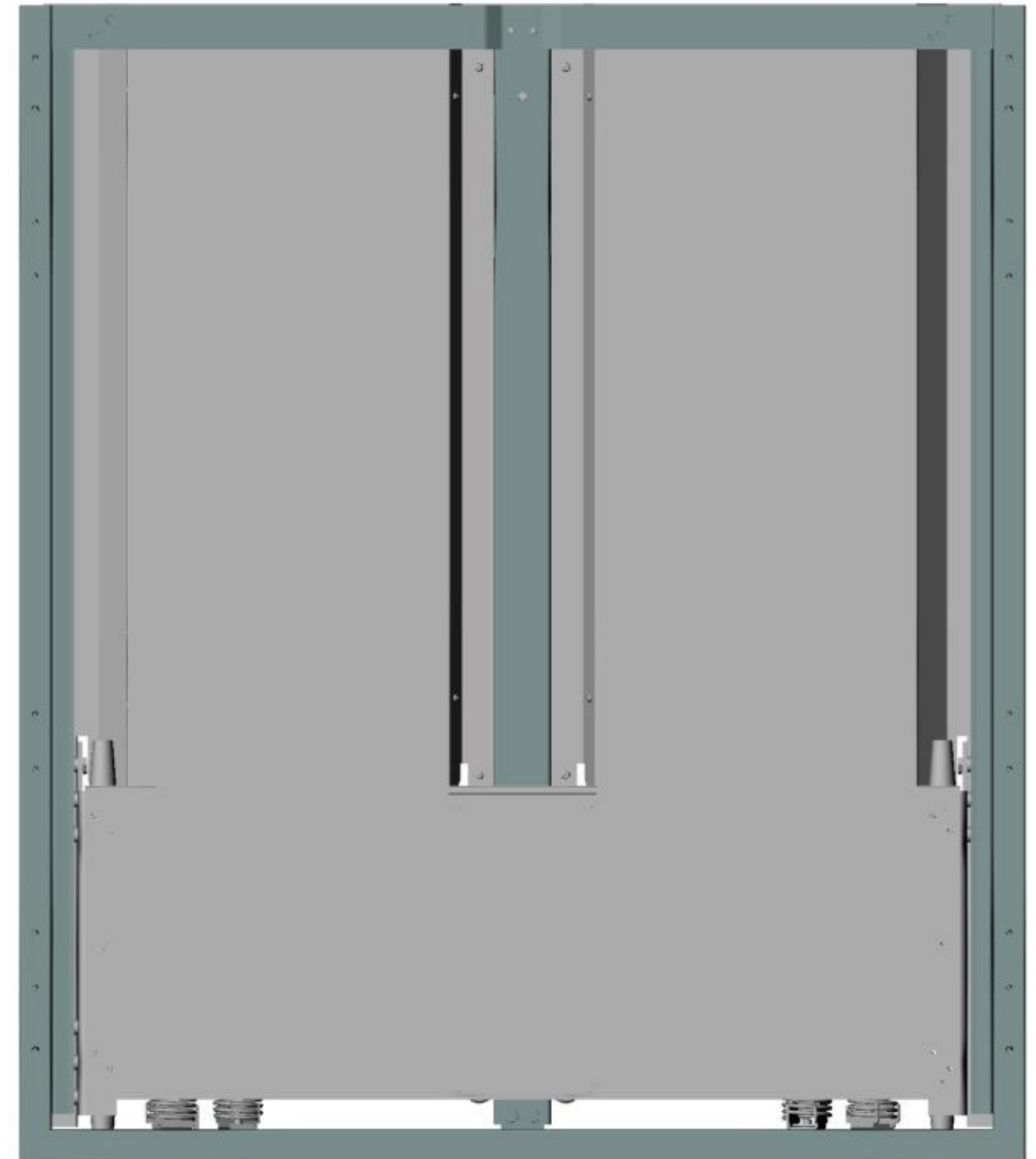
Mount wall frame covers and Application cover (optional)



Mount the touchscreen, use LiftBox accessories



Set the balance, use a drill-driver with a 13 mm socket on 2 outer springs marked green
Drive counter clockwise 5 seconds each until balanced



LiftBox® 650

1x [Panel] 4x self tapping screws 4x M4
1x [Bracket] 2x M6
1x [Panel] 4x M6
Optional [Panel]

Tools: Screwdriver, Spirit level, L-shaped bracket, Hex nut, Drill, Drill bit.

13

Safety warnings, contents of the box, tools needed

3

2x M6

Remove wall bracket

4

Mounting height calculator on:
www.triumphboard.com

*Fasteners not included
Choose based on type of wall
Use 4x 8mm (Not included)

Mount bottom wall bracket level to the wall

1

4x M6
Optional

Remove application cover (optional)

2

4x [Cover] 4x M4

Remove wall-frame covers

5

Use min 4x 8mm screws (not included)

Lift LiftBox on wall bracket, mark top holes. Take LiftBox down and drill holes

6

2x M6

Fix LiftBox at the top. Then level and fix at the bottom

