

User Manual v 7.0

MULTI Touch Series

78" / 89"



August 2015

Content



1) Safety Information	3
2) Product Description	7
3) Technical Specifications	8
4) Package contents.....	10
5) Wall mount Installation	11
6) Driver Installation	14
7) HW Installation	16
8) MULTI Touch Driver Configuration	17
9) Hotkey Setting.....	19
10) MS Office Annotations (only for Vista & Windows-7, 8).....	21
11) Repair Service and Contacts	22

1) Safety Information

Please read, understand and follow the information contained in this User Guide before installation and use of this product.

Safety Information

This product was designed, and intended for use indoors via a USB cable or wireless USB receiver connected to a desktop or laptop computer. Use of this product in an outdoor and/or wet environment could damage this product and create a potentially unsafe operating condition

Meaning of Signal Words	
 WARNING	Indicates a potential hazard that could result in serious injury or death and/or property damage.
 CAUTION	Indicates hazards that could result in minor or moderate injury and/or property Damage.

WARNING

- Please read, understand and follow all safety information contained in this User Manual before installation and use of this product.
- Do not use this product in an outdoor and/or wet environment.
- Do not use this product near water. Electric shock will result.
- This product is not intended for use by unsupervised children. Always provide proper adult supervision when using this product around children.
- At least two qualified service technicians should perform the installation and removal procedure. Failure to do so could result in serious personal injury and/or damage from dropping this product.
- Before installation, take the wall material and wall strength into consideration.
- Always place this product on a stable and level surface.
- Use only the designated wall mount and mobile stand hardware.
- Follow all installation instructions carefully.
- Make sure the mounting screws are properly sized to handle the weight of this product.
- Make sure the mounting hardware is securely anchored to a solid structure.
- Only plug the power cord, power plug or power adaptor into an AC power outlet with the proper and

Safety Information (Continued....)



indicated power supply voltage and which is effectively grounded (grounded) through the normal wiring. If this product is used at a voltage other than the one indicated, it will malfunction and may result in fire or electric shock.

- If the power cord or power plug or power adaptor cannot be plugged into the AC power outlet, contact a licensed electrician to replace the AC power outlet with a properly grounded (grounded) one.
- When you operate this product, the AC power outlet should be near this product and easily accessible.
- The fact that this product operates satisfactorily does not imply that the AC power outlet is grounded (grounded) and that the installation is completely safe. For your safety, if in any doubt about the effective grounding of the AC power point, consult a qualified electrician.
- Do not circumvent the grounding plug (for example, do not use a conversion plug).
- Always plug the power cord, power plug or power adaptor securely and firmly into an AC power outlet. Otherwise, overheating will occur, possibly resulting in electric shock or fire.
- Do not pull, bend, rest objects on, or chafe the power cord or power plug or power adaptor. Damage to the power cord or power plug or power adaptor can cause fire or electric shock.
- Do not attempt to repair the power cord, power plug or power adaptor. If the power cord or power plug or power adaptor is damaged or frayed, contact an authorized service representative for a replacement.
- Periodically clean the power cord or power plug or power adaptor to ensure the connection is free of dust. In a damp environment, a contaminated connector can draw a significant amount of current that can generate heat and eventually cause fire if left unattended over an extended period of time.
- Never move the power cord or power plug or power adaptor with wet hands. Electric shock will result.
- Stop operation immediately if your product emits smoke, excessive heat, abnormal smell or unusual noise. These conditions can cause fire or electronic shock. Immediately turn your product off and unplug the power cord or power plug or power adaptor, and contact an authorized service representative for service.
- When disconnecting this product, hold the power plug or the power adaptor instead of the power cord. Pulling on a power cord forcibly can damage it and cause fire or electric shock.
- To prevent fire or shock hazard, do not expose this product to rain or any type of moisture.
- If metal objects or liquids get into this product, turn this product off and unplug this product immediately. Contact an authorized service representative for service. Operating the contaminated product can cause fire or electronic shock.
- Never open or remove unit covers that are screwed with screws. A high-voltage component can cause electric shock.
- Do not alter this product or modify any parts. Alteration or modification can cause fire or electronic shock.
- Before cleaning this product, unplug the power cord or power plug or power adaptor as electric shock may result.

Safety Information (Continued...)



- Do not open or alter the casing of this product. Electric shock or injury may result.
- Be careful about the location of the power cord, power plug or power adaptor to avoid that it trips someone or causes this product to fall, etc. It may cause injury or product failure.
- Do not leave this product or any of its accessories on the floor to avoid someone breaking it when stepping on it or injury by tripping on it.
- Use only the included power cord or power plug or power adaptor. If other power cord or power plug or power adaptor is used, fire or electric shock might result.
- Do not operate this product in a location with high temperature or high humidity. This product is suitable to work at: Temperature: 10°C to 40°C; Humidity: 10% to 80%; NO condensation.
- Unplug the power cord, power plug or power adaptor from the AC power outlet when:
 - The power cord or power supply plug is damaged.
 - A liquid is spilled onto this product.
 - This product is exposed to rain or water.
 - This product malfunctions and/or needs repairing.
 - This product falls or after its casing is damaged.



- This product must be disposed in accordance with the relevant federal, state, and local laws and regulations.
- This product is to be installed only by qualified service personnel.
- Avoid fire and heat sources above 100°C.
- When this product is not used over an extended period of time, switch it off and unplug the power plug or power adaptor. If it is unused and is left connected to a power source for a long period, degraded insulation may cause electronic shock, current leakage or fire.
- Do not position this product in a location where it is unstable.
- Do not place this product in a hot humid or dusty environment. Prolonged exposure to these adverse conditions may cause fire or electric shock.
- When moving this product, be sure to unplug the power cord, plug or power adaptor from the AC power outlet. If this product is moved with the power cord or plug or power attached, it can cause damage to the power cord, plug or power adaptor which could result in fire or electric shock.
- After installing or moving this product, lock the casters when it is hanging on a mobile stand.
- If this product falls down or gets damaged, turn this product off and unplug the power cord or power plug or power adaptor. Otherwise, it may cause fire or electric shock.
- Do not put drinks, other liquids or heavy items on the tray or screen. Accidental spillage of liquid into this product may cause severe damage. If this occurs, turn this product off, unplug the power cord or power plug or power adaptor and contact an authorized service representative for service.

 **CAUTION**

- Do not lean against this product even when this product is mounted on the wall.
- Do not install this product where it may be exposed to direct sunlight, near heating equipment, or near air-conditioning vents.
- Do not install this product in strong sunlight or strong lighting.
- Do not install this product in locations where the temperature may change suddenly.
- Do not allow writing to remain on the screen for an extended period of time as it will become harder to erase.
- Do not erase with an overly dirty eraser.
- Use commercially available white board cleaner for hard-to-erase stains.
- Use only designated markers and erasers. Use of accessories other than those authorized (such as oil-based markers) may damage the screen or result in hard-to-erase markings.
- Fasten the screws tightly to avoid that the stand or this product falls which may cause injury or damage.
- Before installation, take the wall material and wall strength into consideration. For details, please consult your dealer.

2) Product Description

TRIUMPH BOARD MULTI Touch is an interactive whiteboard that allows 6 users to write, draw, and move objects or 3 users to resize objects with two fingers and rotate two objects simultaneously. Truly multi-touch - requiring no separate multiuser mode settings. Users can write, draw and move objects with a finger, stylus or even a pointer.

TRIUMPH BOARD MULTI Touch connects to a computer through a fast USB 2.0 interface, makes the lecture more interactive and enhances the efficiency of the class.

TRIUMPH BOARD MULTI Touch supports Linux, Mac, all Microsoft Windows & multiuser writing and common multi touch gestures currently recognized in Microsoft Win-7, 8. Use simple intuitive finger or hand gestures to toss, rotate or zoom in/out on objects

TRIUMPH BOARD MULTI Touch is based on IR Cell LED Optical technology which uses a combination of IR LEDs and photo transistors that are aligned in pairs around the active surface. These pairs of LEDs and photo transistors cast a grid over the surface. When the surface is touched, the beam of infrared light between the LEDs and the photo transistors is interrupted at the point of touch. This position is converted into an 'X' and a 'Y' coordinates, which the computer then converts into a mouse position.

TRIUMPH BOARD MULTI Touch interactive whiteboards are used in classrooms at all levels of education, in corporate board rooms and training rooms, in professional sports coaching, etc. Interactive whiteboards replace traditional whiteboards, flipcharts and other traditional systems

For proper functioning of 6 users simultaneous writing on the whiteboard it is recommended to write at least 10 to 15 cm apart from each other and at different heights.



MULTI Touch 78"

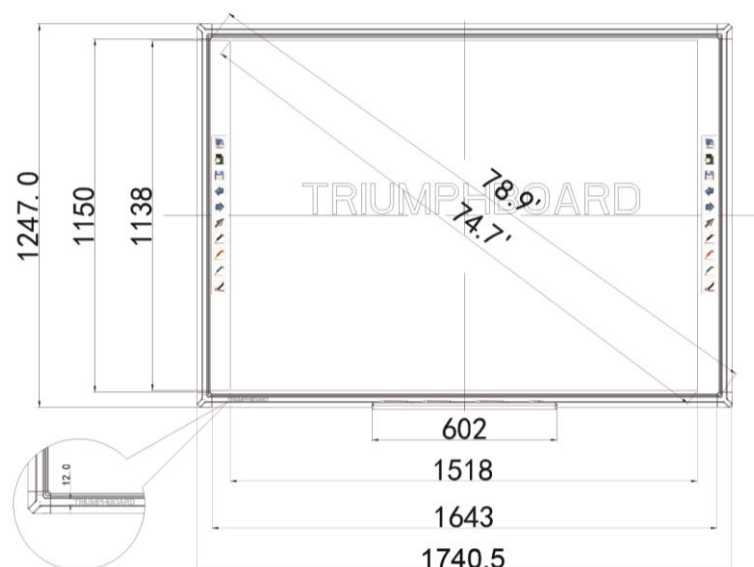


MULTI Touch 89"

3) Technical Specifications

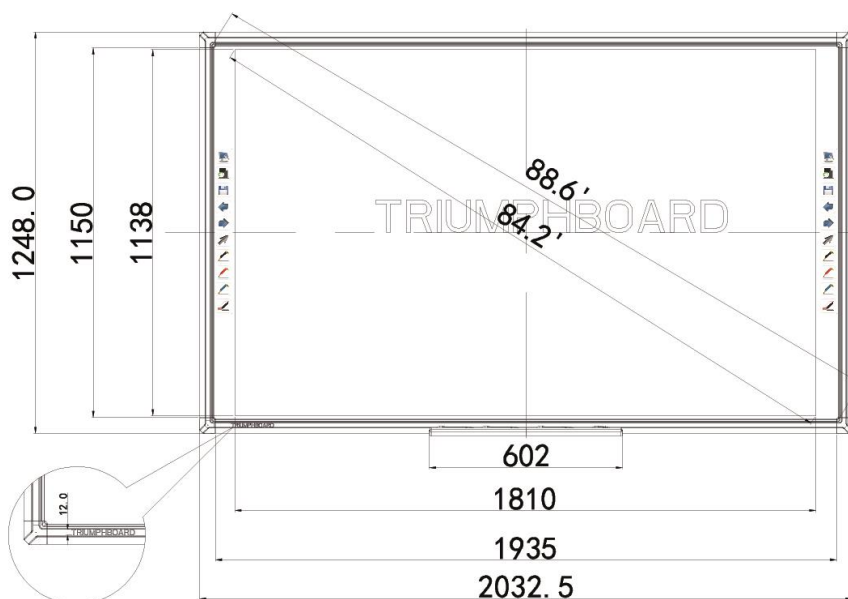
TRIUMPH BOARD 78" MULTI Touch

EAN:	8592580120008
Active screen area size:	1643 x 1150mm, 78.9" diagonal
Aspect ratio:	4:3
Technology:	IR (Infrared) cell LED optical
Resolution:	32768 x 32768
Projection screen area:	1518 x 1138mm (with hotkeys)
Interface Type:	USB 2.0
Cable Length:	5 m (optional 10m cable)
Working Environment	-15 to 50°C
Response time:	6ms
Power supply:	USB DC 5V from PC
Power consumption:	< 0.5W
Storage temperature:	- 40 to 50°C
Humidity Operating	20-90% non-condensing, storage 10-95%, noncondensing
Platform:	Windows 8, 7, Linux, MAC
Board size without packing:	1740.5 x 1247 x 32mm (width x height x depth without plastic pen tray)
Board size with packing:	1820 x 1330 x 100mm (width x height x depth without plastic pen tray)
Board weight (net):	17 kg
Weight incl. packing:	29 kg
Optional:	Speakers



TRIUMPH BOARD 89" MULTI Touch

EAN:	8592580120015
Active screen area size:	1935 x 1150mm, 88,6" diagonal
Aspect ratio:	16:10
Technology:	IR (Infrared) cell LED optical
Resolution:	32768 x 32768
Projection screen area:	1810 x 1138mm (with the hotkeys)
Interface Type	USB 2.0
Cable Length	5 m
Working Environment	-15 to 50°C
Response time:	6ms
Power supply:	USB DC 5V from PC
Power consumption:	< 0.5W
Storage temperature:	- 40 to 50°C
Humidity Operating:	20-90% non-condensing, storage 10-95%, non-condensing
Platform:	Windows 8, 7, Linux, MAC
Board size without packing:	2032.5 x 1248 x 32mm (width x height x depth without plastic pen tray)
Board size with packing:	2110 x 1330 x 100mm (width x height x depth without plastic pen tray)
Board weight (net):	20 kg
Weight incl. packing:	32 kg
Optional:	Speakers



4) Package contents

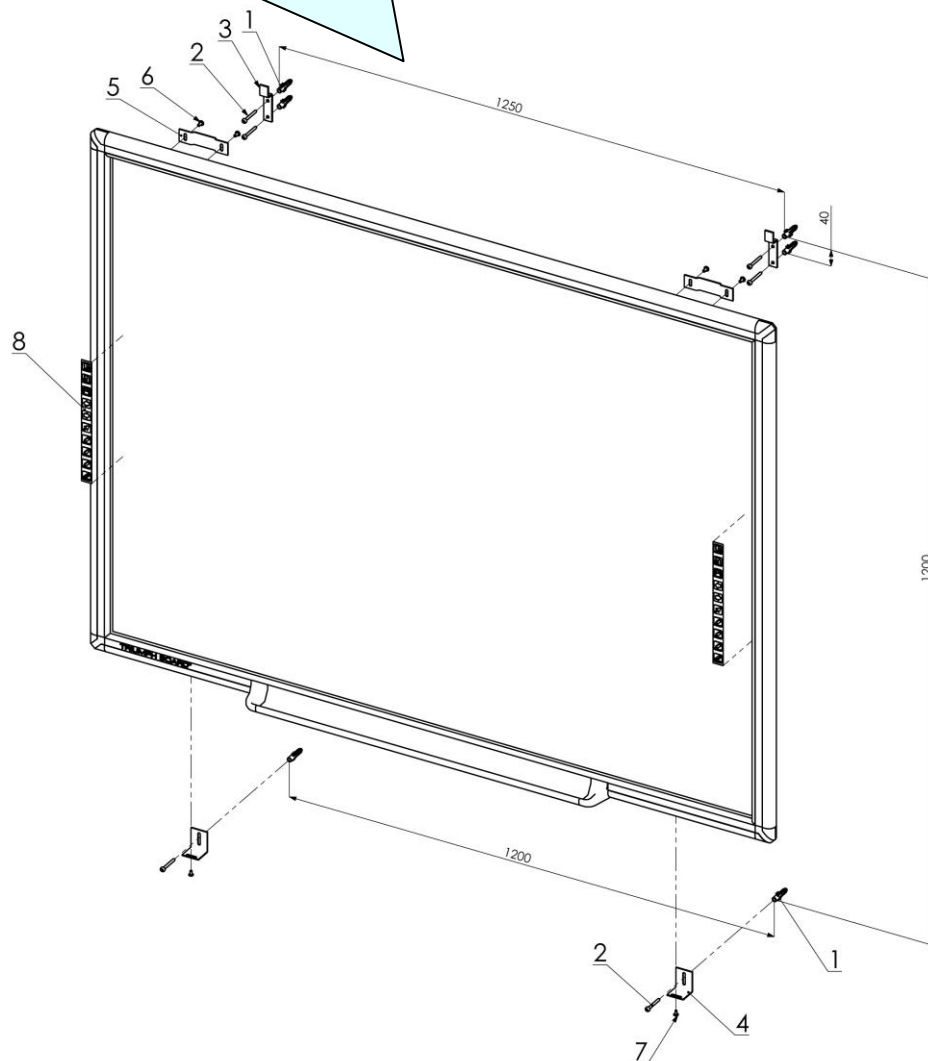
After unpacking, please make sure all of the following parts (subject to your purchase) are present.

MULTI Touch – USB ready		
Item	Description	Quantity
1	Whiteboard with built-in IR Sensor	1
2	USB Cable 5m	1
3	Pen tray	1
4	TRIUMPH CLOUD Hotkey strips (50*50 mm attached to the board)	2
5	RM Easiteach Hotkey strip (50*50 mm)	2
6	Stylus (plastic pen)	2
7	Hard copy of mounting instructions	1
8	USB Flash stick with TRIUMPH CLOUD USB offline version + License Confirmation	1 1
9	USB Flash stick with installation files of SW (MyScript Stylus, RM Easiteach, Display Note) + License Confirmations	1 1
10	Installation components set	1

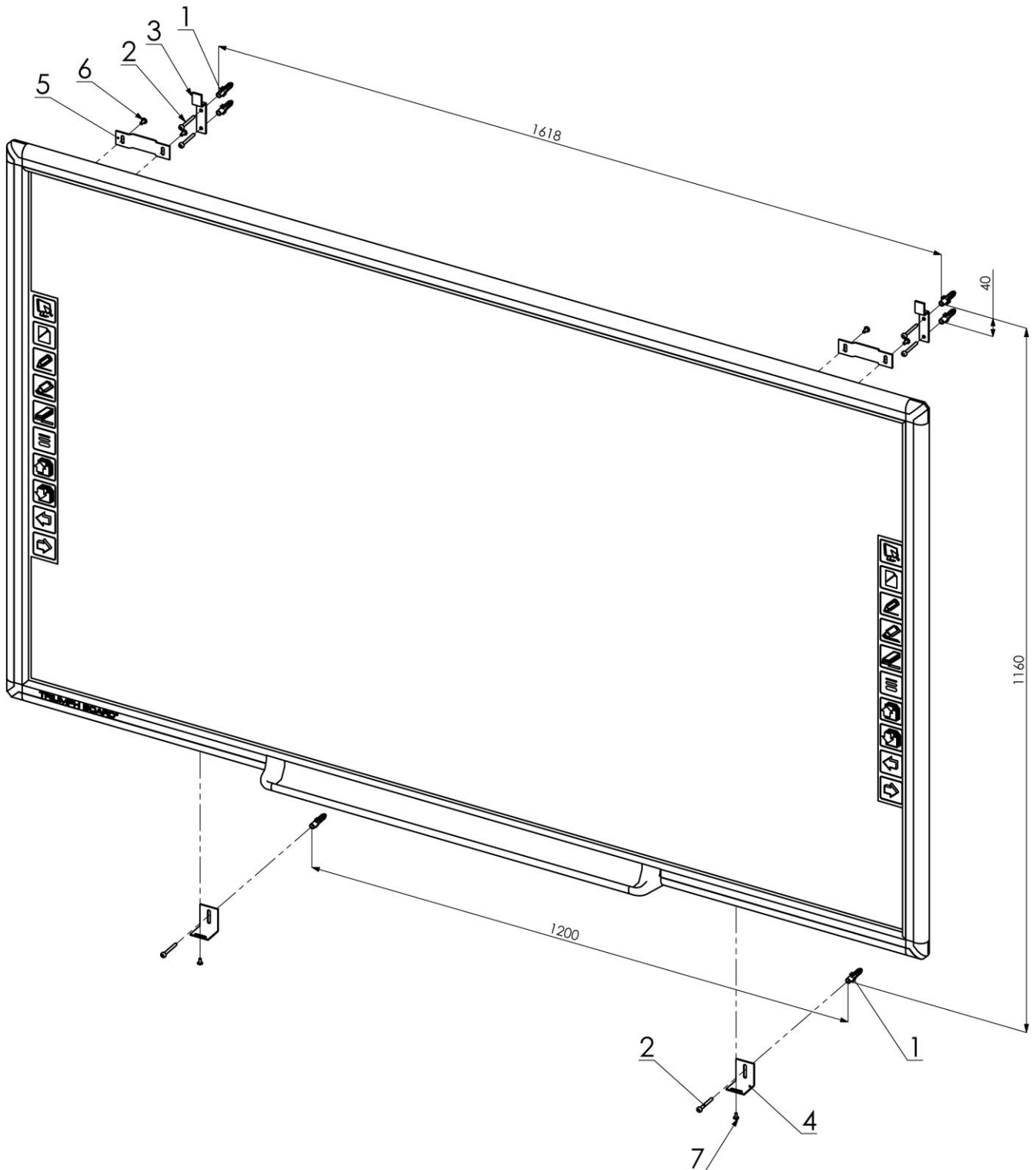
5) Wall mount Installation

MULTI Touch 78"

- 1) attach bracket (5) by screwing (6) to board
- 2) measure the position of top wall mounts for hanging (3)
- 3) install wall anchors (1) and hangers (3)
- 4) install pen tray on board
- 5) measure and install wall plugs (1), screws (2) and square (4)
- 6) hang board



MULTI Touch 89"



1	Wall anchor 10	5	Bracket
2	Screw 5x50	6	Screw M5x12
3	TB MULTI Touch wall mount	7	Screw M4x10
4	Bracket	8	Hotkeys

 **WARNING**

- At least two qualified service technicians should perform the installation procedure. Serious personal injury and / or damage can result from dropping this product.
- BEFORE the installation, please make sure both wall material and wall strength are suitable, otherwise, the board might fall which may cause injury and/or damage. Please consult your dealer for details.
- Use only the designated wall mount.
- Follow all installation instructions carefully.
- Make sure the mounting screws are properly sized to handle the weight of the board.
- Make sure the wall mount is firmly and securely anchored to a solid structure.
- Make sure the board is fastened firmly and securely to the wall mount before using it.

 **CAUTION**

- Do not install this product in a location where it may be exposed to direct sunlight, near heating equipment, or near air-conditioning vents.
- Do not install this product in strong sunlight or strong lighting location.
- Do not install this product in a location where the temperature may change suddenly.
- Avoid installing two or more of these products in the same room or adjacent to each other. Please consult your dealer for details.

6) Driver Installation

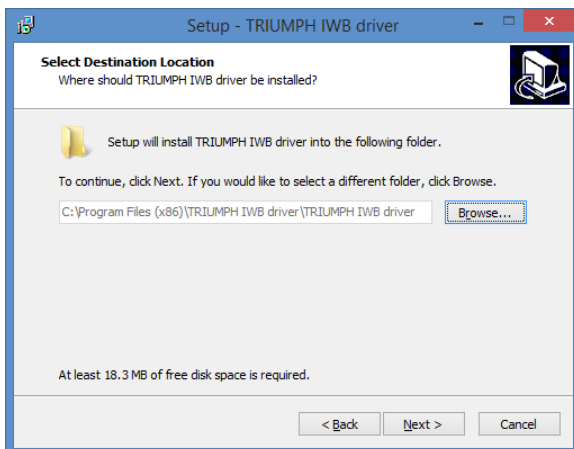
Install TRIUMPH IWB driver

a) To run the driver Installation, double-click the file “TRIUMPH IWB Driver.exe”.

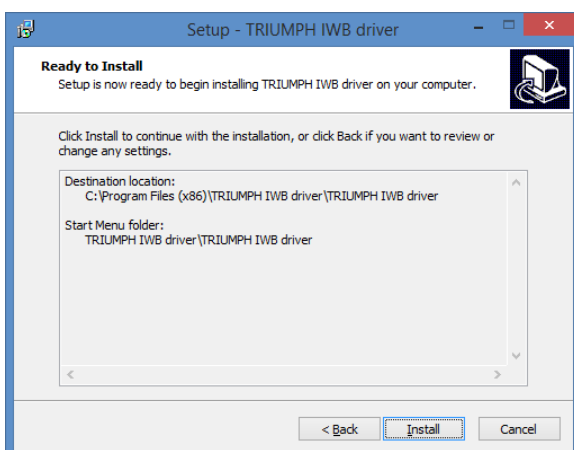
Then click “Next” to install the software.



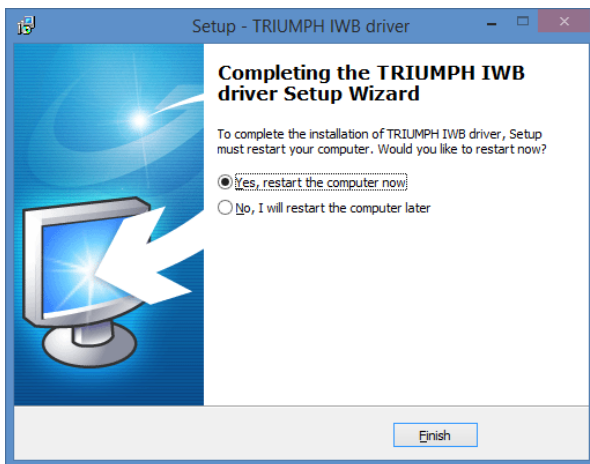
b) Choose destination location and click “Next” to continue.



c) Click Install



- d) Click “Finish” to exit upon the TRIUMPH IWB driver has been successfully installed.



- e) Connect your PC / laptop with the MULTI Touch by using USB cable (provided).

7) HW Installation

Connection

User must have PC, projector, MULTI Touch - USB connect them as shown in the figure below.

MULTI Touch – USB cable – Computer



8) MULTI Touch Driver Configuration

MULTI Touch configuration Main Manual



Right click the icon to show the Main Menu of MULTI Touch configuration.



a) Calibration

Calibration for MULTI Touch after first time installation or if the projector size and projector's position has changed.

Click the flashing cross to calibrate, press ESC to exit. Touch each coordinate accurately. The coordinates will be moved continually until the calibration is completed.



Press ESC to quit

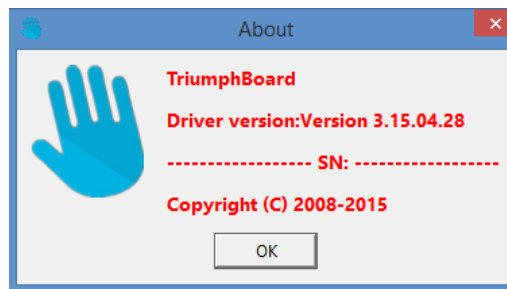
Please point to the blue cross to calibrate
Point on each coordinates accurately.
The coordinates will be continuously until completed.



b) Settings

Device Information

After successfully connecting the computer with the whiteboard, device information such as USB driver version and firmware version info will be shown.



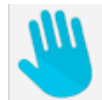
Auto Run

If user enables auto run, the MULTI Touch board driver will automatically start with each restart of windows.

If the MULTI Touch board is not used every day you can choose to disable auto run.

9) Hotkey Setting

2 x 10 hotkey features are available in TRIUMPH CLOUD and RM Easiteach software for the user to set up. For the hotkeys to function properly only one Hotkeys Driver should run at a time, not both simultaneously. If both of the drivers (TRIUMPH IWB Driver and TRIUMPH for RM Driver) are installed and running, then before starting one of the programs please exit the Hotkeys Driver of the other program.



TRIUMPH IWB Driver

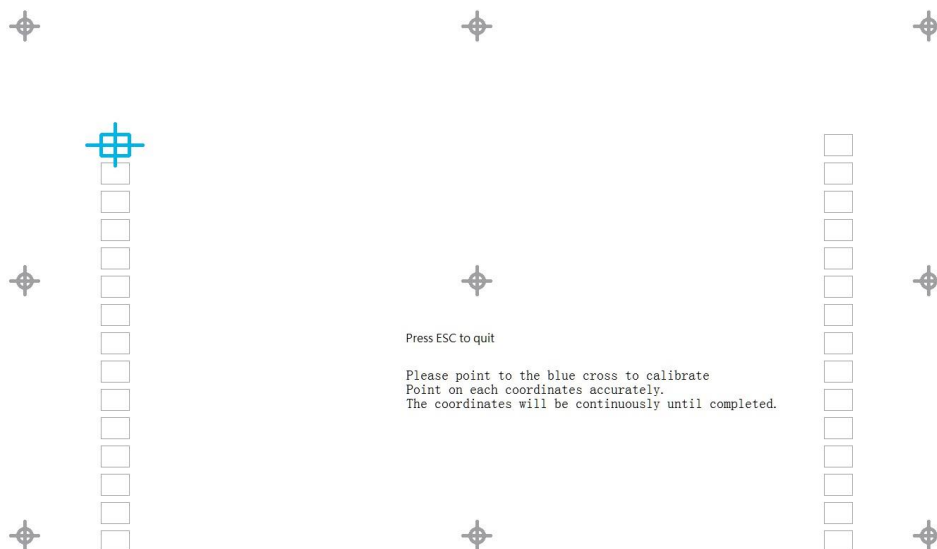
Steps are as following:

Make sure that Triumph IWB Driver is running (Triumph IWB Driver icon is displayed in the system tray).

If not, run it by double clicking on Triumph IWB Driver icon on your Desktop.

If TRIUMPH for RM Driver is running (TRIUMPH for RM Driver icon is displayed in system tray), click the right mouse button and select Exit to cancel it.

- 1) Click on Tools in main Triumph IWB Driver Program menu and choose Calibration Hotkeys.



- 2) Use stylus of MULTI to point to Hotkey cross icons according to where the blue cross is.

RM Easiteach

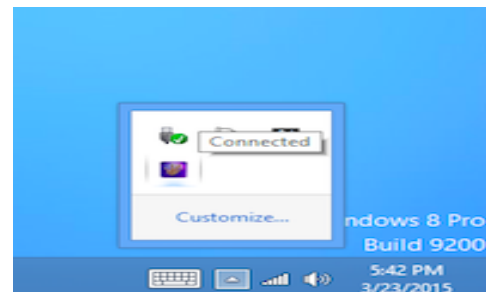
Installation of TRIUMPH for RM Driver

Install the TRIUMPH for RM Driver by double-clicking on TRIUMPH for RM Driver.exe
After installation run RM Hotkeys Driver by double-clicking on TRIUMPH for RM Driver icon on the desktop.

The TRIUMPH for RM Driver icon displays in Windows system tray.



RM Hotkey
Driver

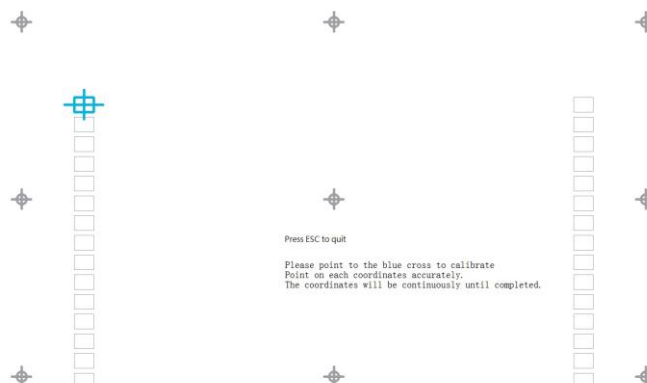


Click the right mouse button in the toolbar to display a context menu.

Calibration steps are as follows:

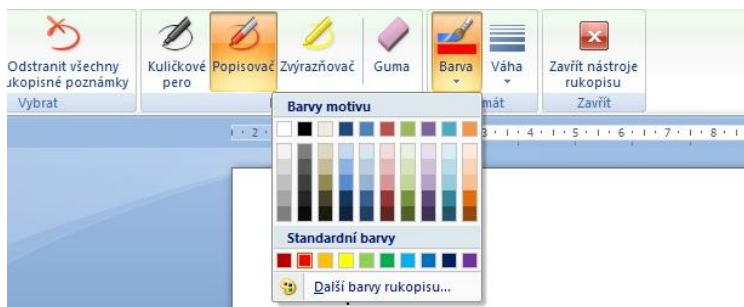
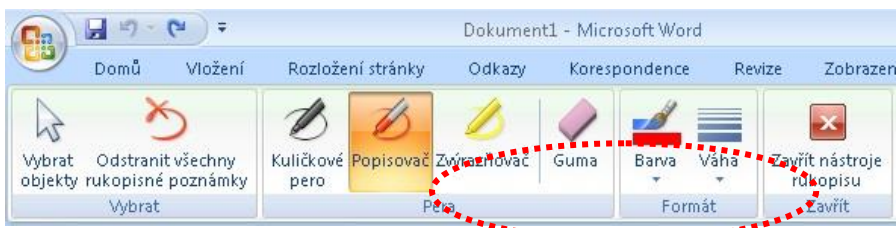
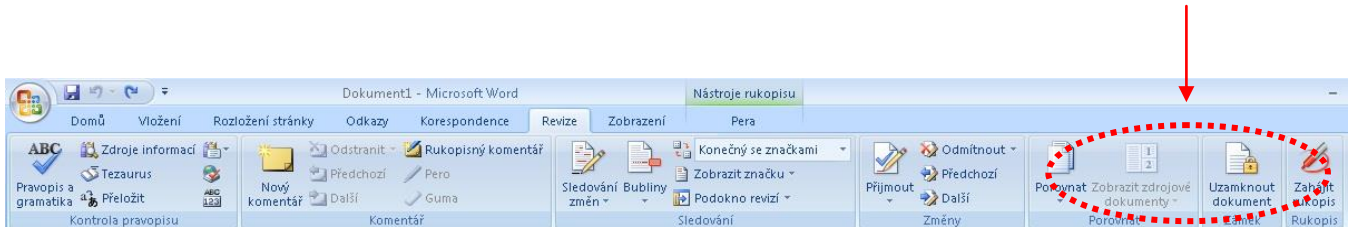
Make sure that TRIUMPH for RM Driver is running (TRIUMPH for RM Driver icon is displayed in the system tray). If Triumph IWB Driver is running (Triumph IWB Driver icon is displayed in system tray), click the right mouse button or hold electronic pen on driver's icon and select Exit to cancel it.

- 1) Put the Hotkey strip on both sides of the IWB according to the position indication on the board.
- 2) Click the right mouse button or hold stylus longer on TRIUMPH for RM Driver icon in the Windows system tray and select calibration.
- 3) Use stylus to point the corresponding blue cross to calibrate the Hotkey.



10) MS Office Annotations (only for Vista & Windows-7, 8)

Microsoft office Annotations toolbar will appear when the MULTI Touch board is connected with the PC



11) Repair Service and Contacts

Please contact your local supplier for the warranty and technical service or alternatively find all warranty conditions and service partners on our website www.triumphboard.com. For any questions please email us at info@triumphboard.com

TRIUMPH BOARD a.s.

Neklanova 122/15

128 00 Praha 2

Czech Republic

EU

Phone: +420 224910221

Fax: +420 224910218

E-mail: info@triumphboard.com

www.triumphboard.com

© TRIUMPH BOARD

Notices

Every effort has been made to ensure all information contained in this user guide is correct, but the accuracy or completeness is not guaranteed. Before using this product, you must evaluate it and determine if it is suitable for your intended application. You assume all risks and liability associated with such use. Any statements related to this product, which are not contained in this manual or any contrary statements contained on your purchase order shall have no force of effect unless expressly agreed upon, in writing, by this company.

Without TRIUMPH BOARD's written permission, reproduction or reprinting this user guide or any part is prohibited.

The contents of this user guide are subject to change without prior notice.

PLEASE see our website www.triumphboard.com for updates and fresh product information in the product and support sections.