




# TRIUMPH BOARD®

## MOUNTING INSTRUCTIONS FOR SHORT THROW PROJECTOR MOUNT

**MODEL: PROJECTOR WALL MOUNT 1000 series**  
**Max Weight Loading 15Kgs**

READ THESE INSTRUCTIONS CAREFULLY BEFORE INSTALLING YOUR EQUIPMENT.  
INSTALL THE MOUNT IN A SUITABLE LOCATION USING FIXINGS WHICH ARE APPROPRIATE FOR THE WALL MATERIAL AND STRUCTURE. CONSULT A QUALIFIED BUILDER IF YOU ARE IN ANY DOUBT AS TO THE STRUCTURAL INTEGRITY OF THE WALL.  
USE ALL AVAILABLE FIXING POINTS.  
DO NOT ATTEMPT TO ALTER OR MODIFY ANY PART OF THE WALL MOUNT OR IT'S ATTACHMENTS.  
DO NOT USE IF ANY PARTS ARE BROKEN OR APPEAR TO BE DAMAGED.  
TIGHTEN ALL BOLTS AND FIXINGS SECURELY. ONLY USE FIXINGS PROVIDED WITH THIS BRACKET.  
DO NOT MOUNT YOUR PROJECTOR NEAR TO SOURCES OF HEAT OR MOISTURE.  
ALWAYS HAVE A MINIMUM OF TWO PERSONS TO INSTALL THE PROJECTOR AND THE MOUNT.

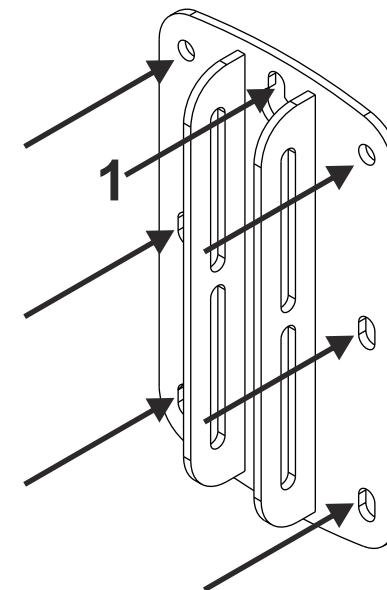
### Projector Mount Fixing Kit

	A - M8 x 16mm	<b>x4</b>
	B - M8 / M6	<b>x4/x3</b>
	C - M6 x 12mm	<b>x2</b>

## 1 Attach Wall Plate To Wall

### NOTE: Refer to supplied drilling template

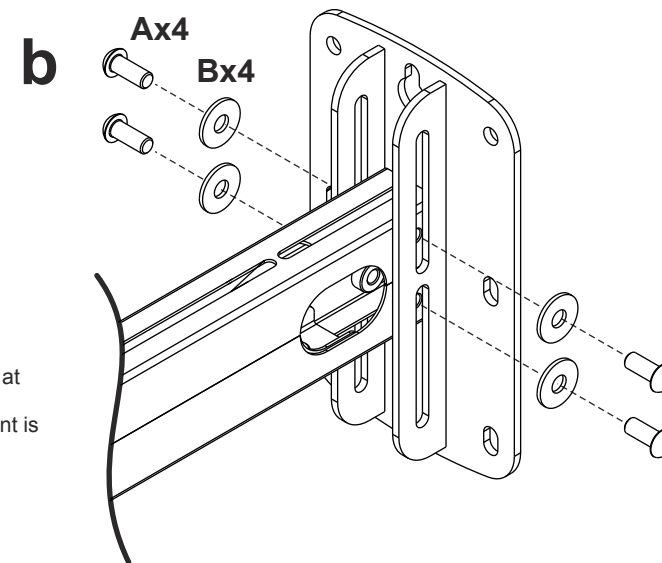
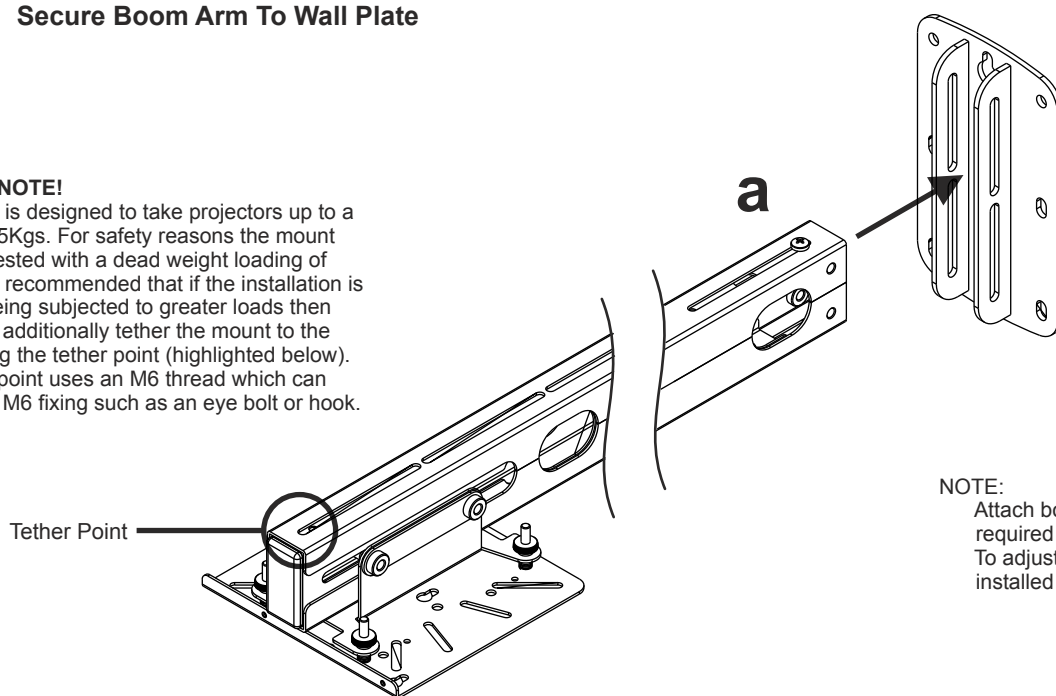
For ease of installation mount bracket on wall using position 1 and mark other positions using a spirit level. Then remove fixing from position 1, remove bracket and drill other positions. Use Fixings suitable for your type of wall construction. Use All available fixing points.  
If in any doubt of the suitability of the wall, it's construction or what type of fixings to use, consult a qualified builder or installer.



## 2 Secure Boom Arm To Wall Plate

### CAUTION NOTE!

This mount is designed to take projectors up to a weight of 15Kgs. For safety reasons the mount has been tested with a dead weight loading of 75Kgs. It is recommended that if the installation is at risk of being subjected to greater loads then you should additionally tether the mount to the ceiling using the tether point (highlighted below). The tether point uses an M6 thread which can accept any M6 fixing such as an eye bolt or hook.



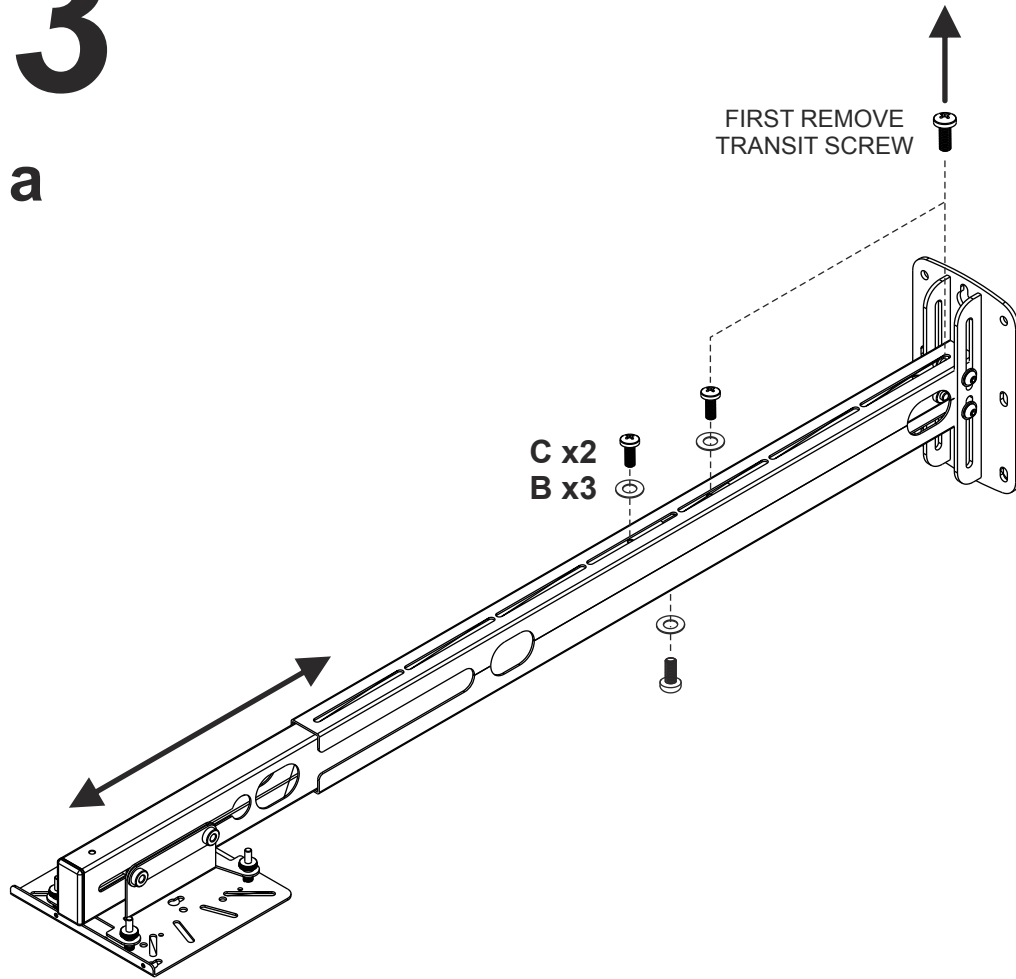
### NOTE:

Attach boom arm to wall plate at required height.  
To adjust height once the mount is installed refer to **Stage 6**

# 3

Adjust Length Of Mount

a








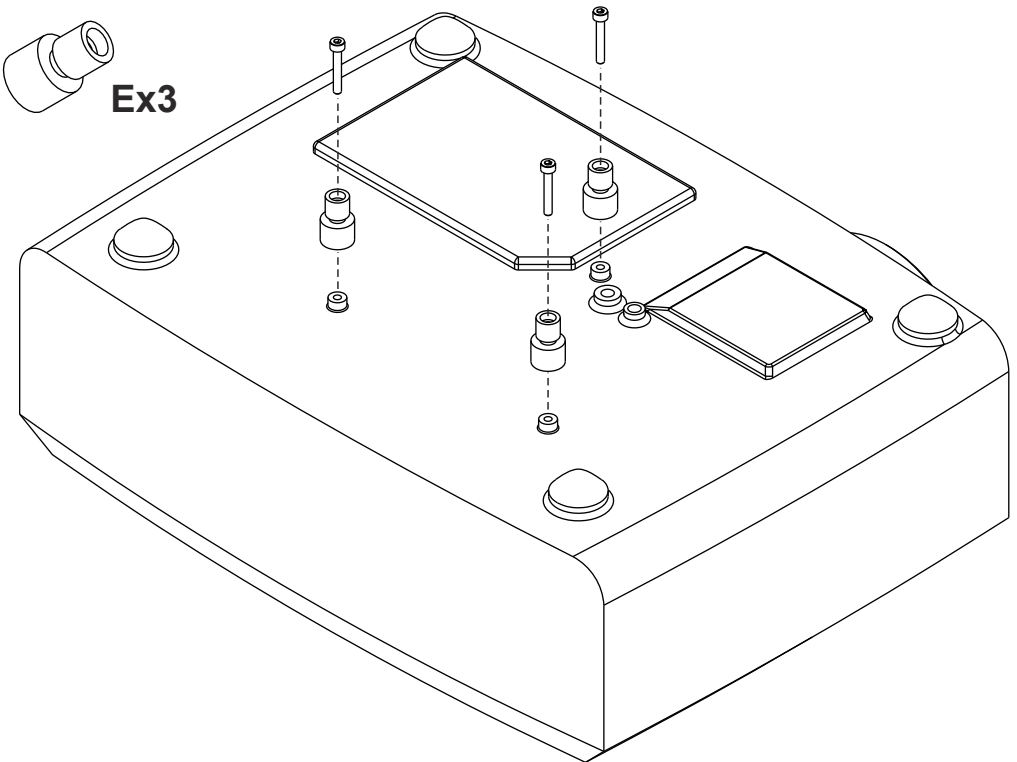
# 4

Attaching TRIUMPH BOARD PROJECTOR WALL MOUNT 1000 series

a

### Fixing Kit

	D - M3 x 20mm	<b>x3</b>
	E - Mounting Bobbin	<b>x3</b>
	F - 2.5mm Allen Key	
	G - M4 x 16mm	<b>x2</b>
	Also Required	

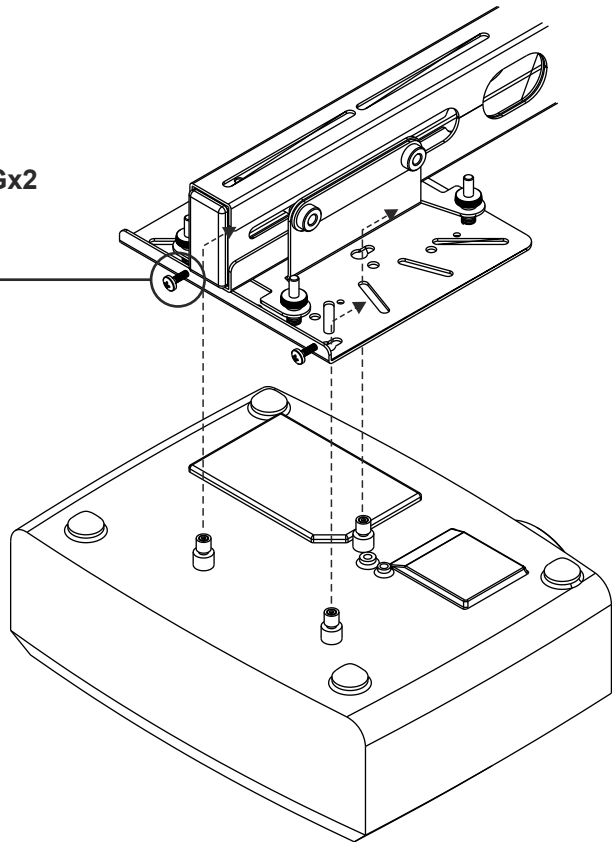


# 4

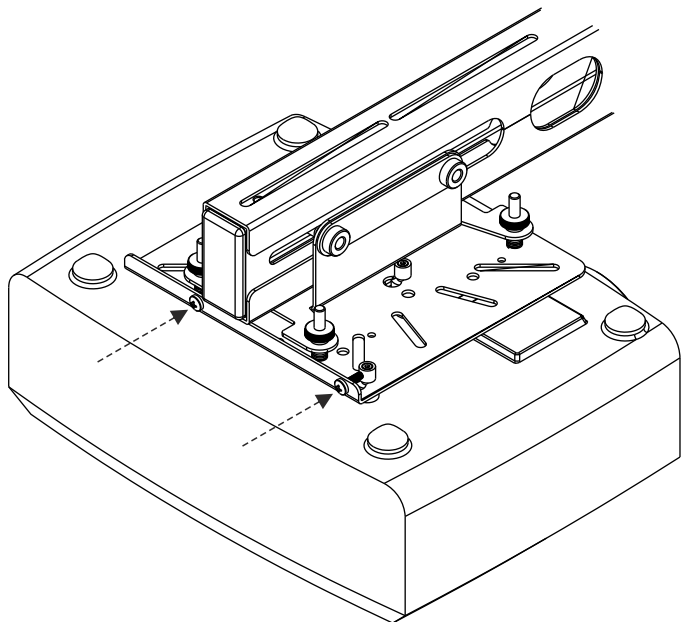
## b



Gx2



## c



# 5

## Attaching Other Projectors

### Universal Projector Fixing Kit

- H - M3 x 10mm I - M3 x 25mm
  - J - M4 x 10mm K - M4 x 25mm
  - L - M5 x 10mm M - M5 x 25mm
  - N - M6 x 10mm O - M6 x 25mm
- x4**

- P - M3 Washer Q - M5 Washer
  - R - M4 Washer S - M6 Washer
- x4**

- T - M5 x 15mm
  - U - M5 x 15mm
- x4**

- V - Extension Arm
- x4**

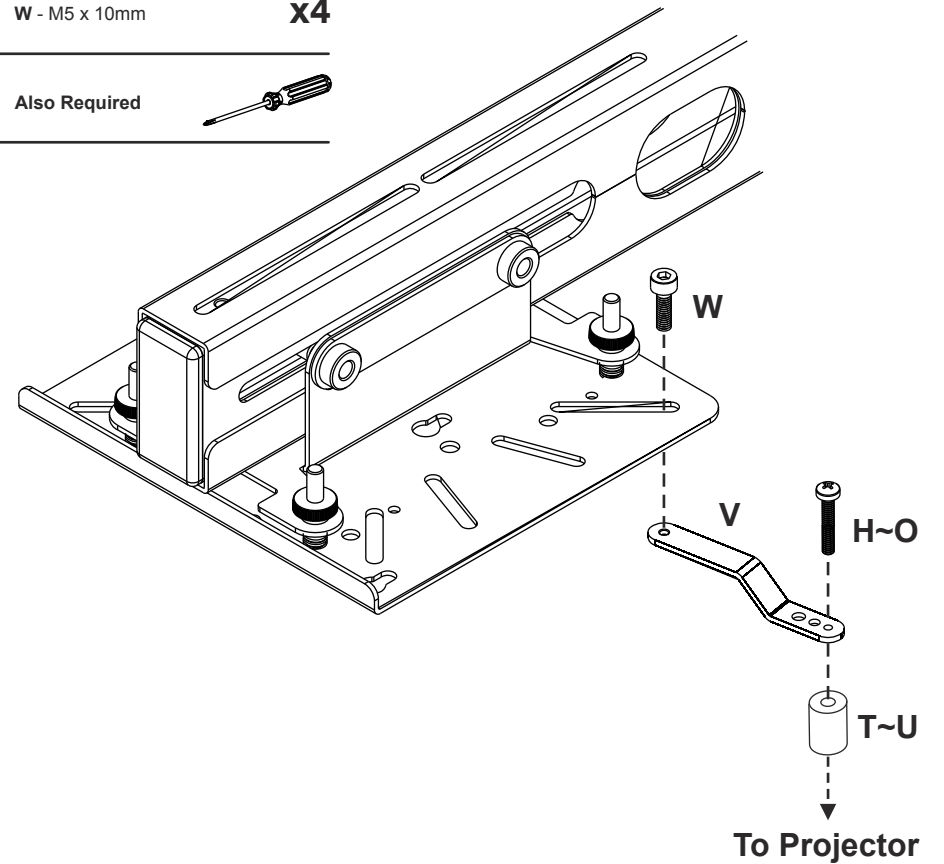
- W - M5 x 10mm
- x4**

Also Required



NOTE:

Use universal fixing kit as demonstrated below using bolts, extension arms and/or spacers to attach to third party projector models. Use relevant fixings in all available fixing points on projector.



# 6 Fine Adjust Position

The following adjustments (labelled below) can be made to fine tune position to correct any discrepancy in the installation or mounted surface;

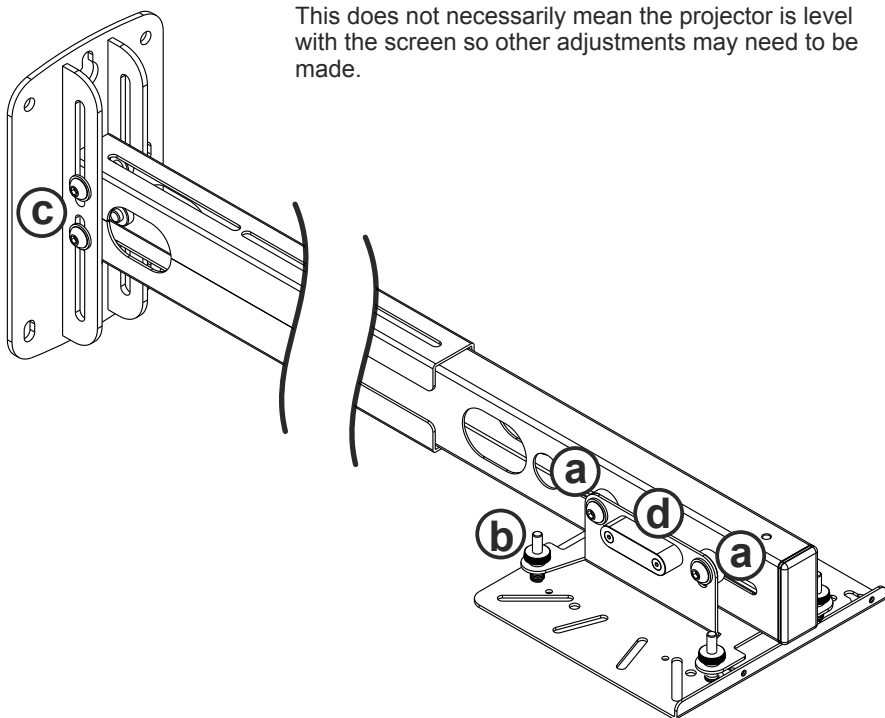
**a** To fine tune the length and tilt of the mount, loosen bolts, slide mount to required position and re-tighten bolts.

**b** To fine tune the level of the projector use the four adjustment thumb wheels on the spring loaded cradle. Do not fully unwind the thumb wheels.

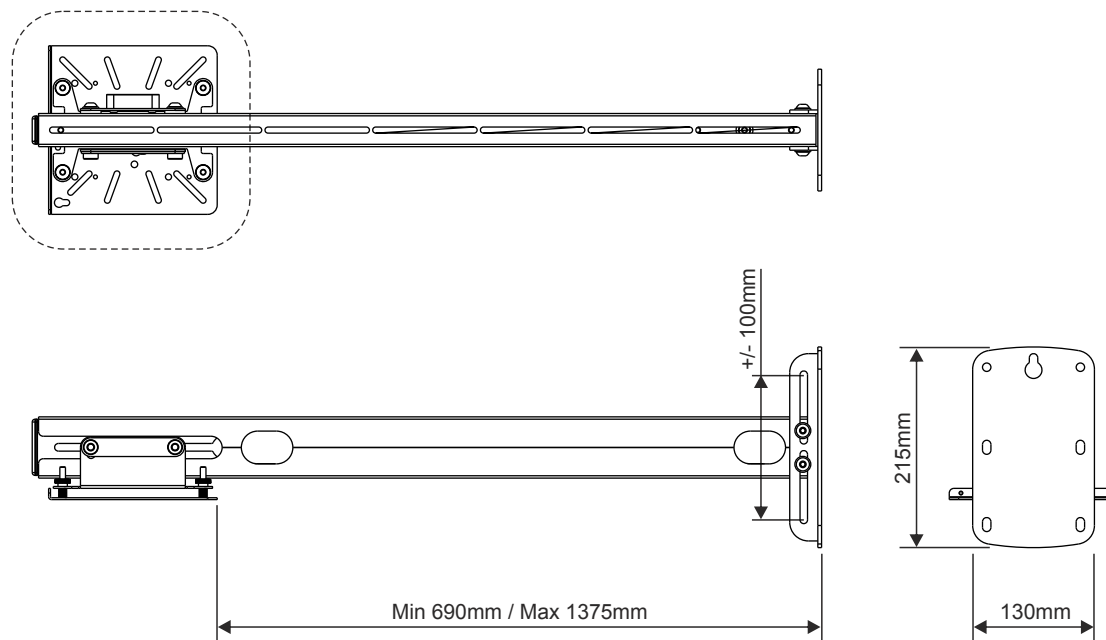
**c** To fine tune height position of the projector, loosen the boom assembly screws and slide the projector to required position. Then re-tighten all four screws.

**d** The integrated level indicates that the mount arm is at 0°.

This does not necessarily mean the projector is level with the screen so other adjustments may need to be made.



Compatibility Universal  
Up to 270mm x 270mm



## Specifications;

Throw distance - 535mm to 1350mm  
(Approx dependent on fixing positions)

Adjustment - 100mm Fine length adjustment  
+/- 5° Tilt Adjustment with integral level  
4-point vernier adjustment tilt and yaw  
100mm Height Adjustment at wall

## Compatibility

### TRIUMPH BOARD

PJ 1000 series ST DLP

### Hitachi

ED-D10N, ED-D11N, CP-D10

ED-A100\*, ED-A101\*, ED-A111\*, CP-A100\*

### NEC

NP1XXX, NP2XXX, NP3XXX, NP4XXX,

### Optoma

EW610ST, EX610ST, EX605ST, EW610ST, EW605ST, EX525ST

ZW210ST, ZX210ST, X305ST, W305ST, X306ST & W306ST

### UNIVERSAL

Up to 270mm x 270mm

\*Screen size limited to 80" to 110"

# Drilling template

NOTE:

For use with TRIUMPH BOARD PROJECTOR PJ1000 series ST DLP.  
When mounted on this bracket, the centre of the lens will be 80mm to the right of the centre of the wall plate. Use this template to ensure correct positioning of projector lens in line with screen

