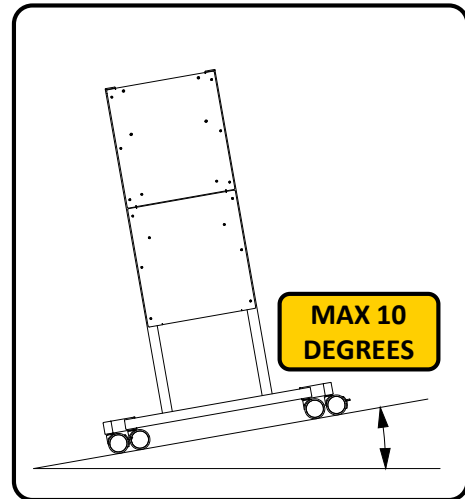
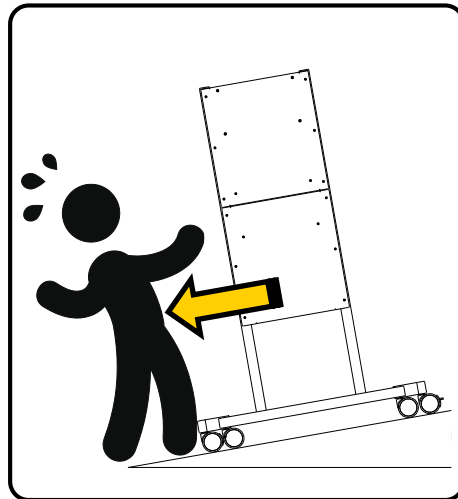


TRIUMPH BOARD Mobile Stand for LiftBox for LED LCDs and IWBs

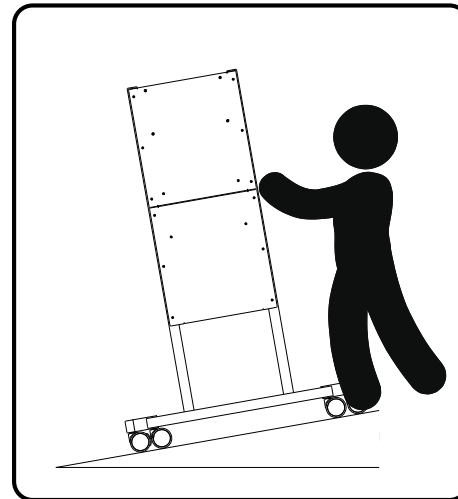
TRIUMPH BOARD Mobile Stand for LiftBox for LED LCDs and IWBs Installation manual



WARNING MAXIMUM SLOPE



WARNING DO NOT PULL DOWN SLOPE



STAY ABOVE CART WHEN MOVING DOWN SLOPE



CAUTION

This cart is intended for use with a LiftBox height adjustable mount and flat screen or touchscreen TV or Interactive whiteboard weighing not more than:

200 pounds (90 kg).

Use with other products may result in instability causing possible injury.



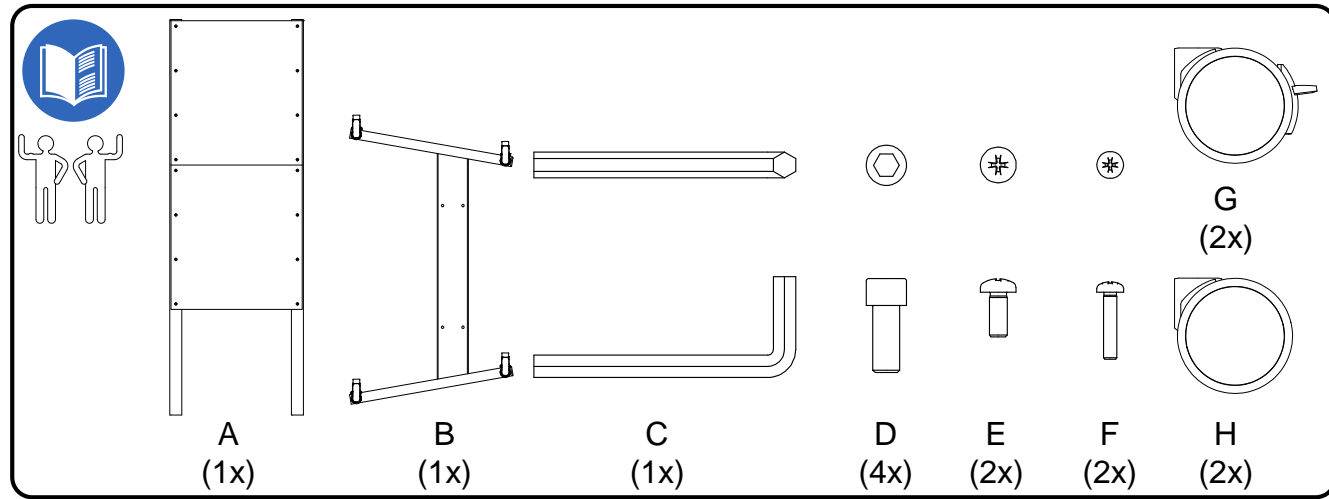
CAUTION

"This cart is intended for use only with the maximum weights indicated. Use with products heavier than the maximum weights indicated may result in instability causing possible injury."

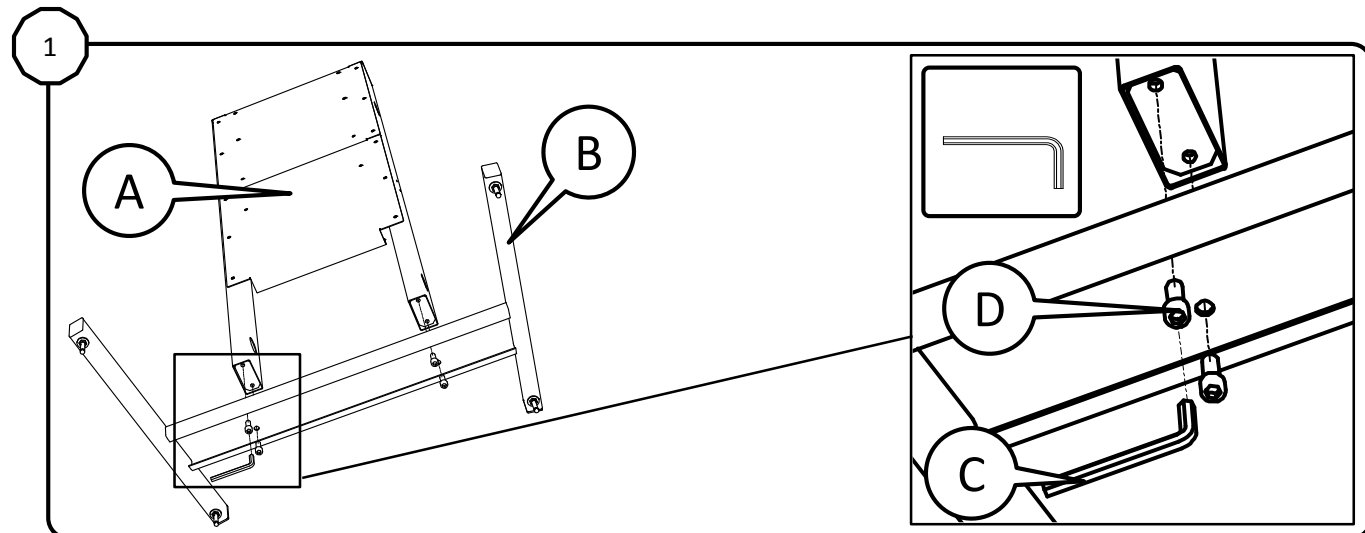


EAN: 8592580083211

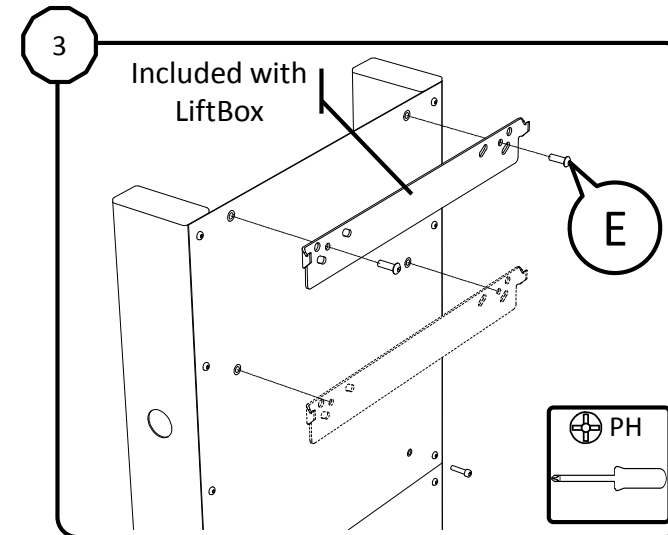
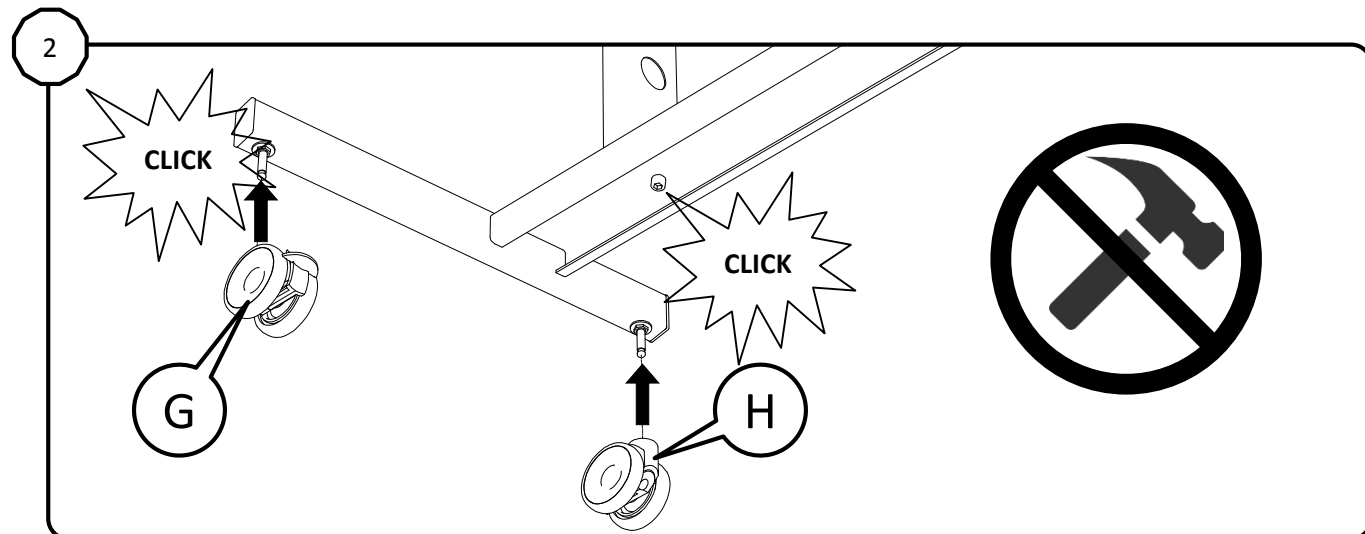
TRIUMPH BOARD Mobile Stand for LiftBox for LED LCDs and IWBs



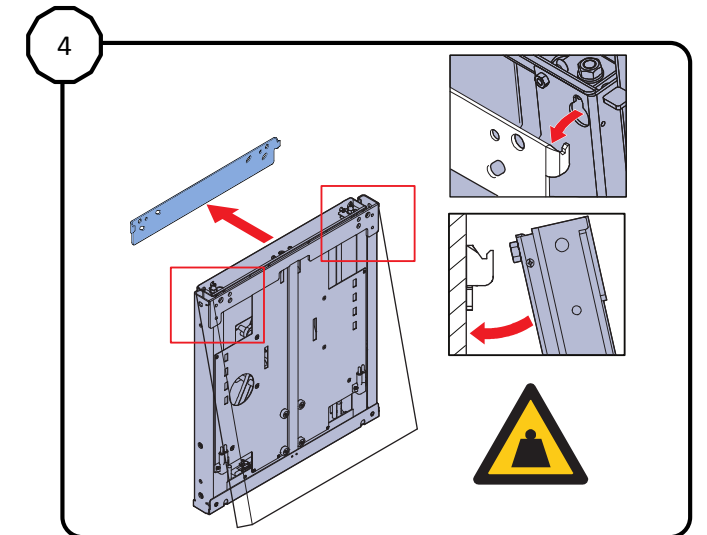
Contents of the box



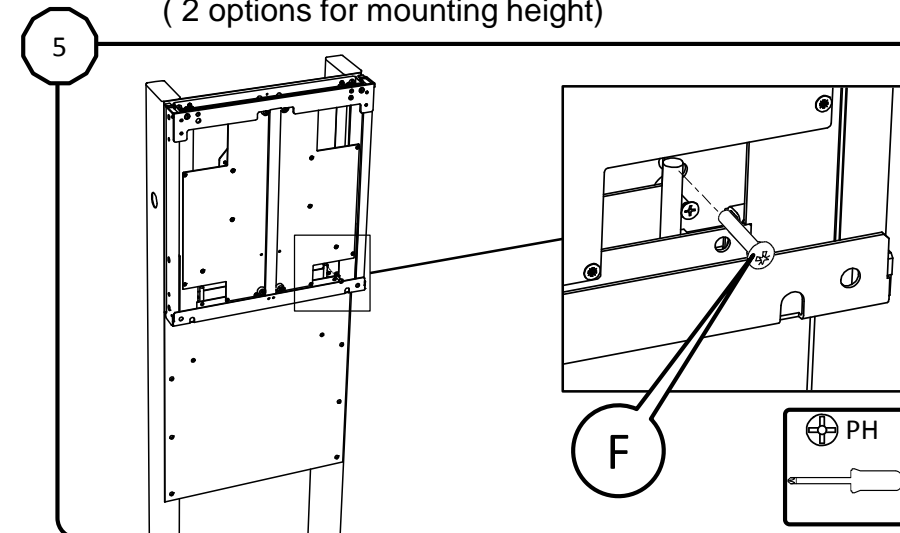
Assemble (● 10 mm)



Mount the LiftBox bracket
(2 options for mounting height)



Please refer to
LiftBox user manual!



Lock LiftBox with safety screws at the bottom

