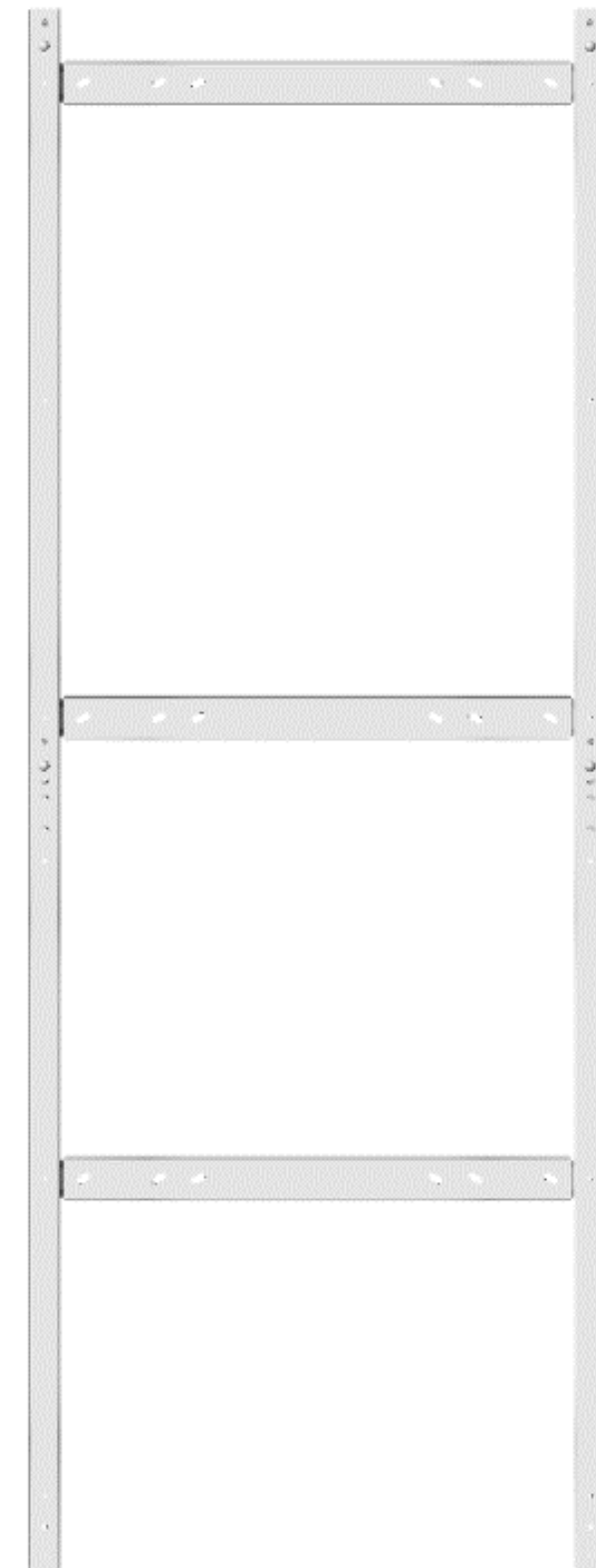
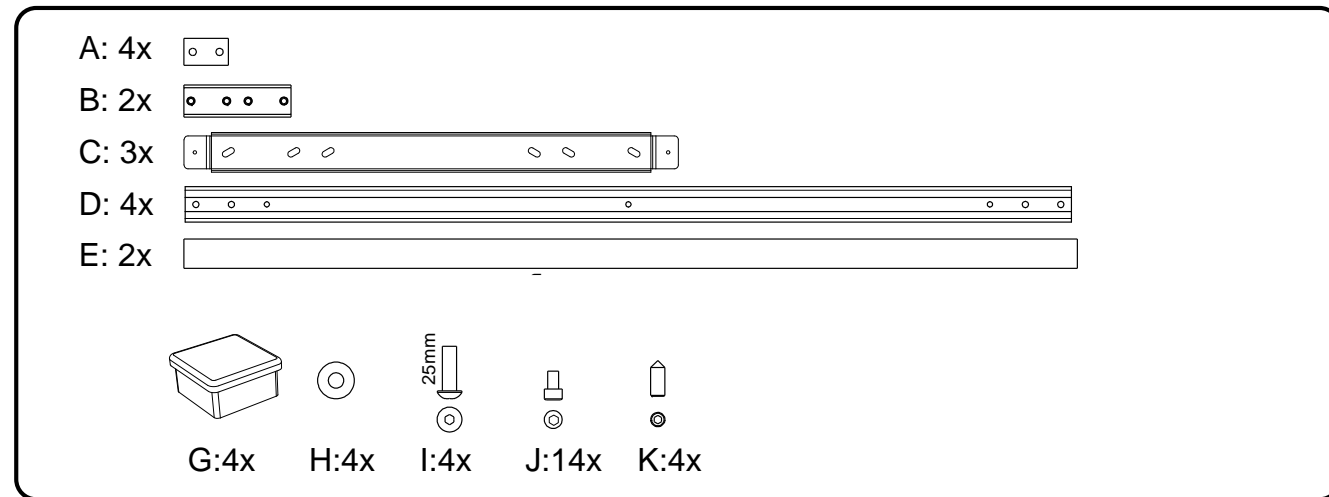


Floor Support for LiftBox for 84" LED LCD / LB 650

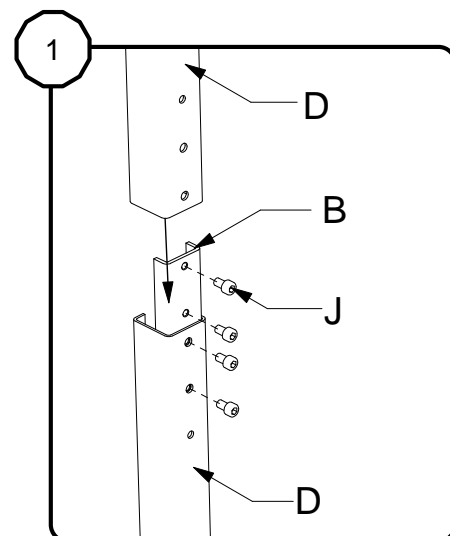
Floor Support for LiftBox for 84" LED LCD / LB 650 Installation manual



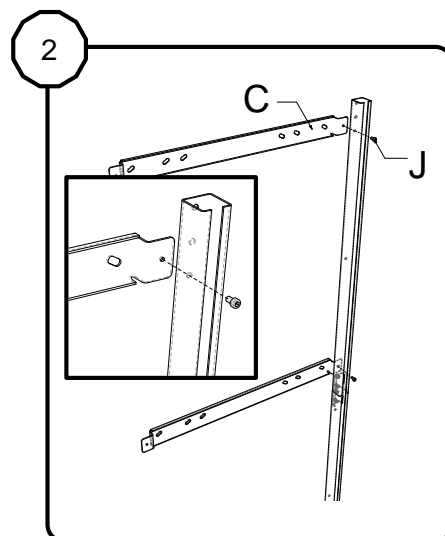
Floor Support for LiftBox for 84" LED LCD / LB 650



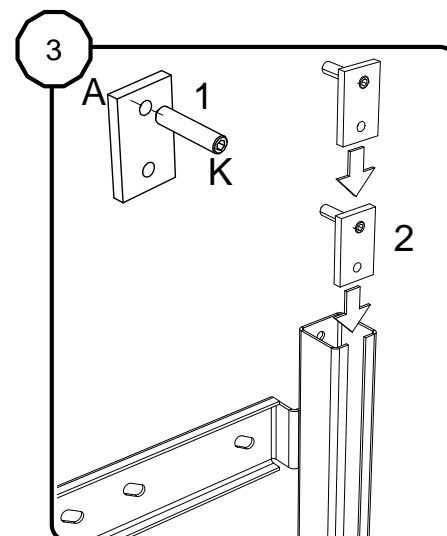
Contents of the box



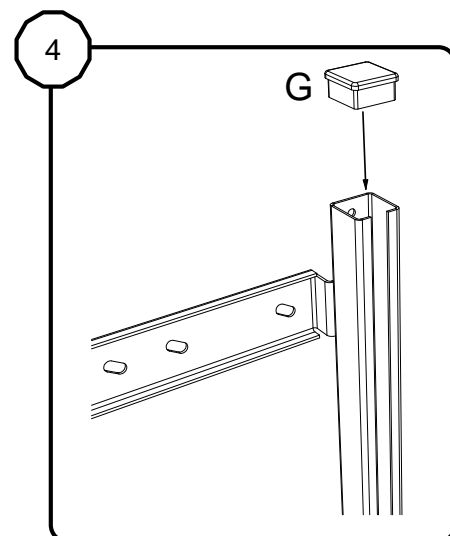
Assemble 2x (● 5 mm)



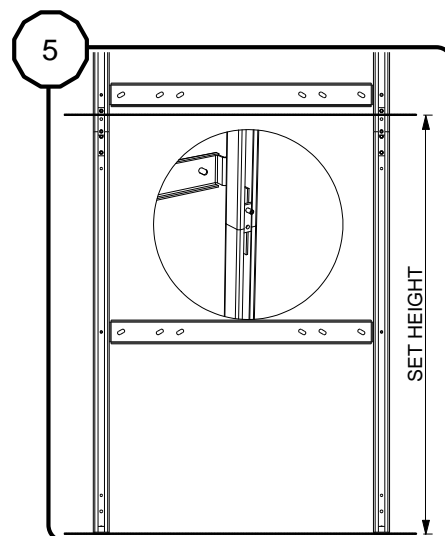
Assemble 6x (● 5 mm)



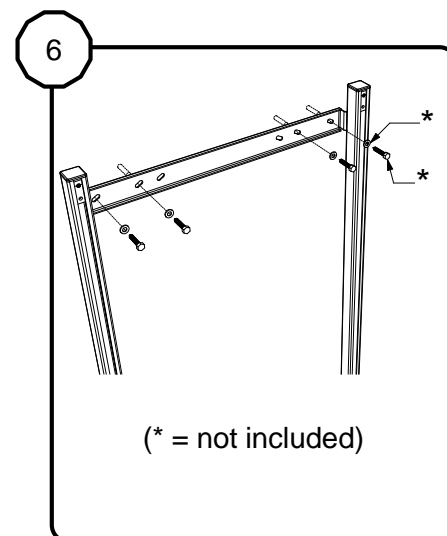
Assemble 4x (● 4 mm)



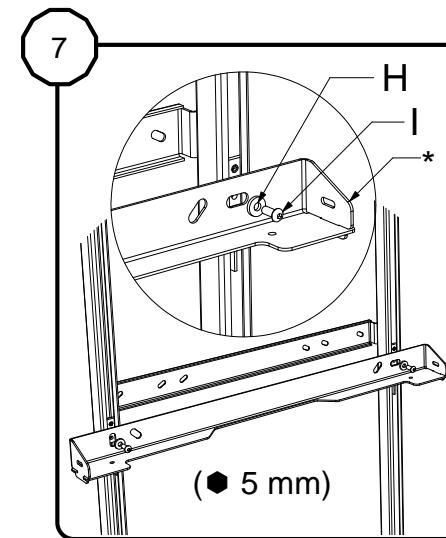
Insert top and bottom cap



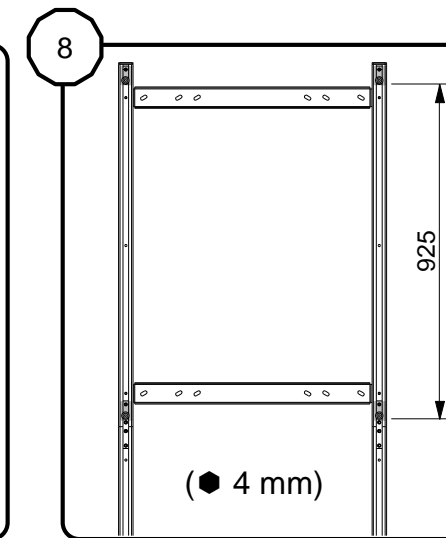
Set height from bottom (730–1055 mm / 28.75"–40.3") and level; fix (● 4 mm)



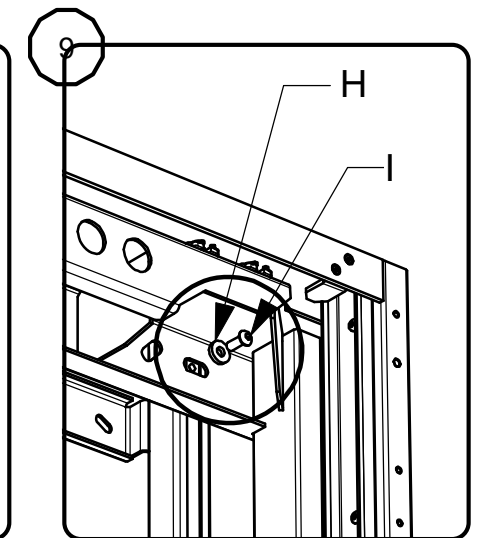
Mount all brackets level to the wall, choose fasteners suitable for type of wall



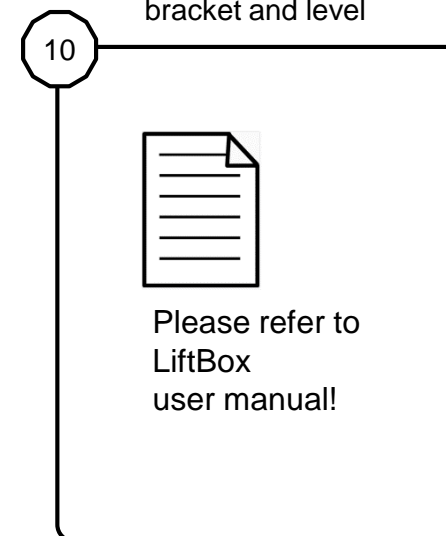
Mount LiftBox bottom bracket and level



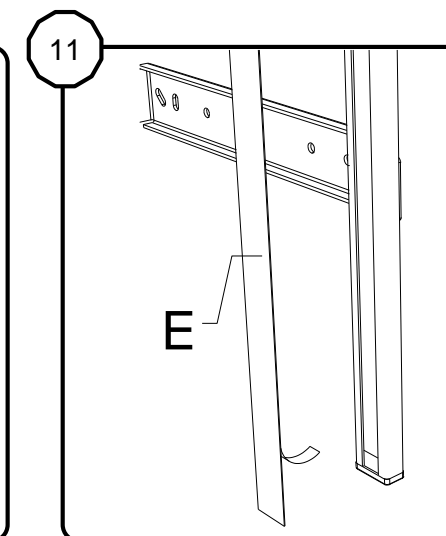
Set height at 925 mm



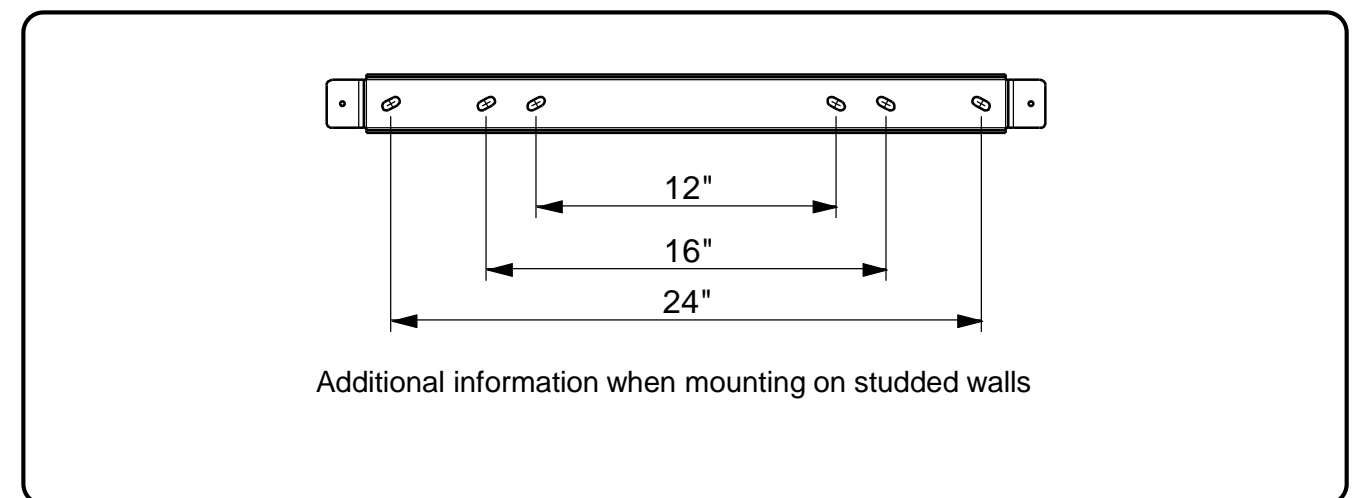
Mount LiftBox at the top



Finish mounting LiftBox and application



Mount cover strips with double sided tape



Additional information when mounting on studded walls